

THREE-PHASE-ASYNCHRONOUS-MOTOR FCPA 132 S 4 /PHE

IE3AC13S4050

General data

Type of motor	3~
Type designation	FCPA
Frame size	132
Mounting	B35
Frame execution	S
Frame material	Aluminium
Insulationclass	F/B
Terminal box location	top DE
Terminal box orientation	cable gland to the right side
Weight (kg)	48
Rotation Direction	right /left
Vibration level	A
Balancing method	half key
cooling type	IC411
Executed acc. to	IEC 60034-1
noise level	IEC 60034-9

Influential factors

Duty	S1
Ambient temperature (°C)	-20 up to +40
Height of location (m)	1000

Electrical specification

Power 1 50Hz (kW)	5.5
Power 1 60Hz (kW)	5.5
Frequency (Hz)	50/60
Voltage 50Hz (V)	400/690
Voltage 60Hz (V)	460/795
Voltage/Frequency tolerance (not valid for range voltage)	+/-10%
Connection	Δ/Y
Poles	4
Efficiency 100% 50Hz (%)	89,6
Efficiency 75% 50Hz (%)	89,6
Efficiency 50% 50Hz (%)	87,8
Efficiency 100% 60Hz (%)	91,7
Efficiency 75% 60Hz (%)	91,7
Efficiency 50% 60Hz (%)	89,9
Power factor	0,83
Starting current factor	7,5
Starting torque factor	2
Tilting moment factor	2,3
Rated current 50Hz (A)	10,67/6,19
Rated current 60Hz (A)	9,06/5,23
Eff.Cl.50Hz	IE3

Electrical specification

Eff.Cl.60Hz	IE3
-------------	-----

Mechanical data

Torque (Nm)	35,98/29,98
Rotation speed (1/min)	1460/1752
Bearing DE	6308.ZZ.C3
Bearing NDE	6308.ZZ.C3
Mounting of bearing DE	loose bearing
Mounting of bearing NDE	loose bearing
Bearing lifetime	20000
allow. Radial load (X/2)	1650
allow. Radial load (X0)	1850
allow. Radial load (Xmax)	1450
allow. Axial load B3,B5,B35,B14,B34	1450
allow. Axial load V1,V3,V19,V18	1400
Moment of inertia	0,025

Motor properties

Color	RAL7030
Paint surface	shiny
Protection class	IP55
Cable gland size (cable connection)	1xM32x1,5 1xblind plug
Cable gland size (option)	M16x1,5
Cable gland type	Standard
Shaft end	38 x 80
Shaft material	C45
Specification NDE	Plastic fan
Flange	300

Additional operating points

Voltage operating point 2	460/795
Power operating point 2 (kW)	6.6
Connection operating point 2	Δ/Y
Frequency operating point 2	60
Efficiency class operating point 2	IE2

Additional option

Protection winding	PTC 150°C
--------------------	-----------

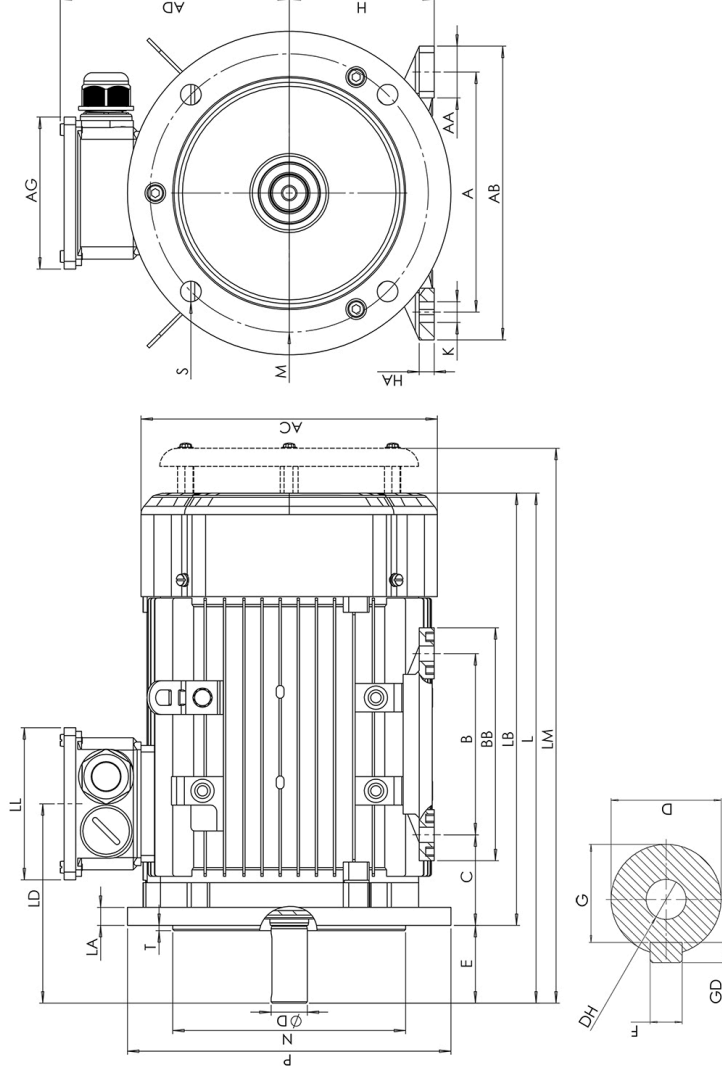
Dimension drawings

Three-Phase-Asynchronous- Motor FCPA 132 S 4 /PHE

IE3AC13S4050



Die Zeichnung dient lediglich als Skizze um Maße darzustellen. Das gelieferte Produkt kann von dieser Skizze abweichen. Die detaillierte Beschreibung des Produkts befindet sich im Datenabschnitt (Seite 1).
The drawing serves only as a sketch to show dimensions. The delivered product may differ from this sketch. The detailed description of the product can be found in the Data section (page 1).



A	216	AA	51	AB	262	AC	258	AD	191	AG	117,5	GD	8
F	10	G	33	DH	M12x28	EB	65	ED	7,5	B	140	BB	186
		C	89	D	38	E	80	H	132	HA	15	K	12x16
		L	445	LM	485	LA	14	LB	365	LD	180	LL	117,5
		M	265	N	230	P	300	S	4x14,5	T	4		