

THREE-PHASE-ASYNCHRONOUS-MOTOR FCPA 80 A 4 /HE

IE2AC08A4004

General data

Type of motor	3~
Type designation	FCPA
Frame size	80
Mounting	B35
Frame material	Aluminium
Insulationclass	F/B
Terminal box location	top DE
Terminal box orientation	cable gland to the right side
Weight (kg)	9
Rotation Direction	right /left
Vibration level	A
Balancing method	half key
cooling type	IC411
Executed acc. to	IEC 60034-1
noise level	IEC 60034-9

Influential factors

Duty	S1
Ambient temperature (°C)	-20 up to +40
Height of location (m)	1000

Electrical specification

Power 1 50Hz (kW)	0,55
Power 1 60Hz (kW)	0,55
Frequency (Hz)	50/60
Voltage 50Hz (V)	230/400
Voltage 60Hz (V)	265/460
Voltage/Frequency tolerance (not valid for range voltage)	+/-10%
Connection	Δ/Y
Poles	4
Efficiency 100% 50Hz (%)	77,1
Efficiency 75% 50Hz (%)	77,1
Efficiency 50% 50Hz (%)	75,6
Efficiency 100% 60Hz (%)	75,5
Power factor	0,75
Starting current factor	5,2
Starting torque factor	2,3
Tilting moment factor	2,3
Rated current 50Hz (A)	2,39/1,37
Rated current 60Hz (A)	2,12/1,23
Eff.Cl.50Hz	IE2
Eff.Cl.60Hz	IE2

Mechanical data

Torque (Nm)	3,75/3,13
Rotation speed (1/min)	1400/1680
Bearing DE	6204.ZZ.C3
Bearing NDE	6204.ZZ.C3
Mounting of bearing DE	loose bearing
Mounting of bearing NDE	loose bearing
Bearing lifetime	20000
allow. Radial load (X/2)	700
allow. Radial load (X0)	775
allow. Radial load (Xmax)	625
allow. Axial load B3,B5,B35,B14,B34	625
allow. Axial load V1,V3,V19,V18	595

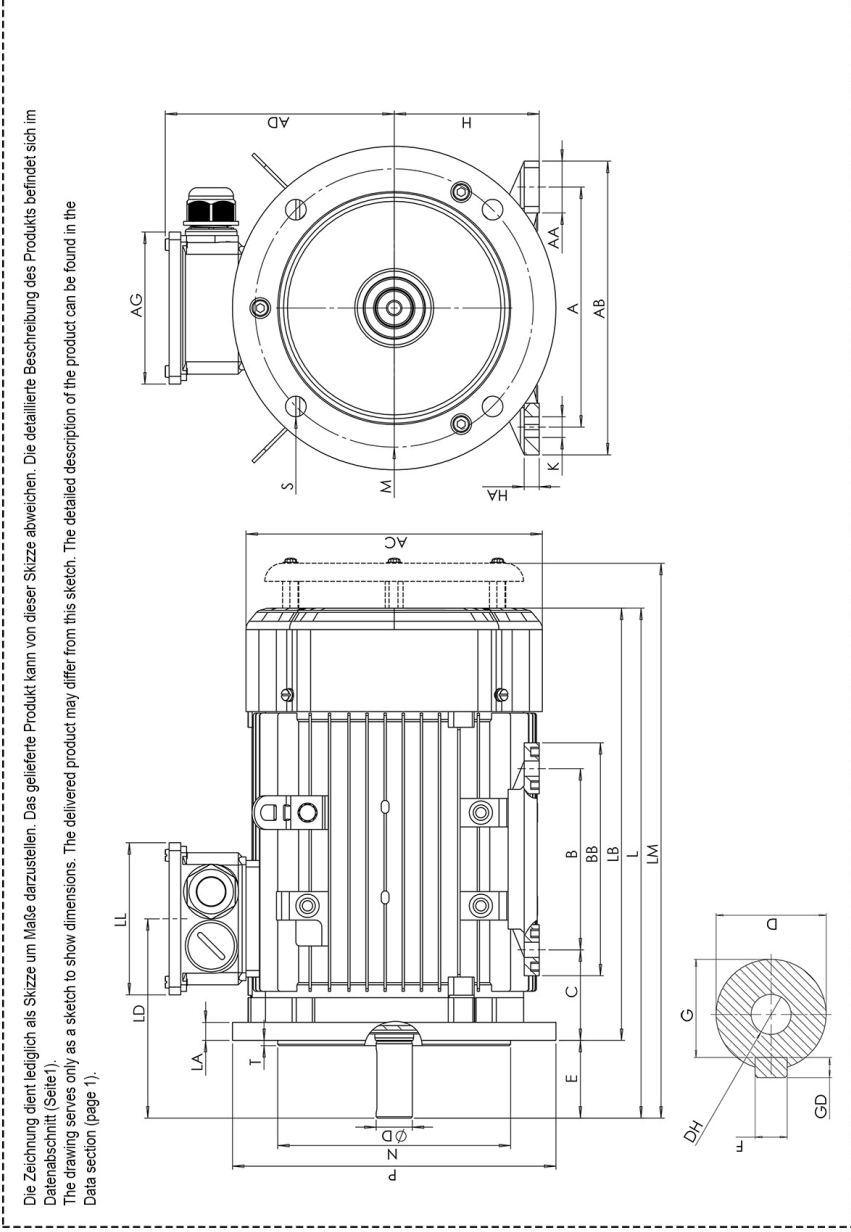
Motor properties

Color	RAL7030
Paint surface	shiny
Protection class	IP55
Cable gland size (cable connection)	1xM20x1,5 1xblind plug
Cable gland type	Standard
Shaft end	19 x 40
Shaft material	C45
Specification NDE	Plastic fan
Flange	200

Dimension drawings

Three-Phase-Asynchronous- Motor FCPA 80 A 4 /HE

IE2AC08A4004



A	125	AA	35	AB	157	AC	155	AD	124	AG	101	B	100	BB	125	C	50	D	19	E	40	H	80	HA	9	K	10x14	L	277	LM	307	LA	12	LB	237	LL	101	M	165	N	130	P	200	S	4x12	T	3,5	F	6
G	15,5	DH	M6x16	EB	30	ED	5	GD	6																																								