

## THREE-PHASE-ASYNCHRONOUS-MOTOR FOPA 80 B 4 /PHE

IE3OG08B4051

### General data

Type of motor	3~
Type designation	FOPA
Frame size	80
Mounting	B35
Frame material	Aluminium
Insulationclass	F/B
Terminal box location	top DE
Terminal box orientation	cable gland to the right side
Weight (kg)	12
Rotation Direction	right /left
Vibration level	A
Balancing method	half key
cooling type	IC411
Executed acc. to	IEC 60034-1
noise level	IEC 60034-9

### Influential factors

Duty	S1
Ambient temperature (°C)	-20 up to +40
Height of location (m)	1000

### Electrical specification

Power 1 50Hz (kW)	0.75
Power 1 60Hz (kW)	0.75
Frequency (Hz)	50/60
Voltage 50Hz (V)	230/400
Voltage 60Hz (V)	-/460
Voltage tolerance	+/-10%
Connection	$\Delta/Y$
Poles	4
Efficiency 100% 50Hz (%)	82,5
Efficiency 75% 50Hz (%)	82,3
Efficiency 50% 50Hz (%)	79,0
Efficiency 100% 60Hz (%)	83,5
Efficiency 75% 60Hz (%)	83,3
Efficiency 50% 60Hz (%)	80,0
Power factor	0,65
Starting current factor (Ia/In)	6
Starting torque factor (Ma/Mn)	3,2
Breakdown torque (Mk/Mn)	3,6
Rated current 50Hz (A)	3,49/2,01
Rated current 60Hz (A)	0,00/1,72
Eff.Cl.50Hz	IE3
Eff.Cl.60Hz	IE3

### Mechanical data

Torque (Nm)	5,00/4,16
Rotation speed (1/min)	1435/1720
Bearing DE	6204.ZZ.CM
Bearing NDE	6204.ZZ.CM
Mounting of bearing DE	loose bearing
Mounting of bearing NDE	loose bearing
Bearing lifetime (h)	20000
Moment of inertia (kgm <sup>2</sup> )	0,0022

### Motor properties

Color	RAL7030
Paint surface	shiny
Protection class	IP55
Cable gland size (cable connection)	M25x1,5
Cable gland size (option)	M20x1,5
Cable gland type	Standard
Shaft end (mm)	19 x 40
Shaft material	C40
Specification NDE	Plastic fan
Flange	200

### Additional option

Protection winding	PTC 150°C
Condensate draining hole	✓
Condensate draining hole sealing screw	✓

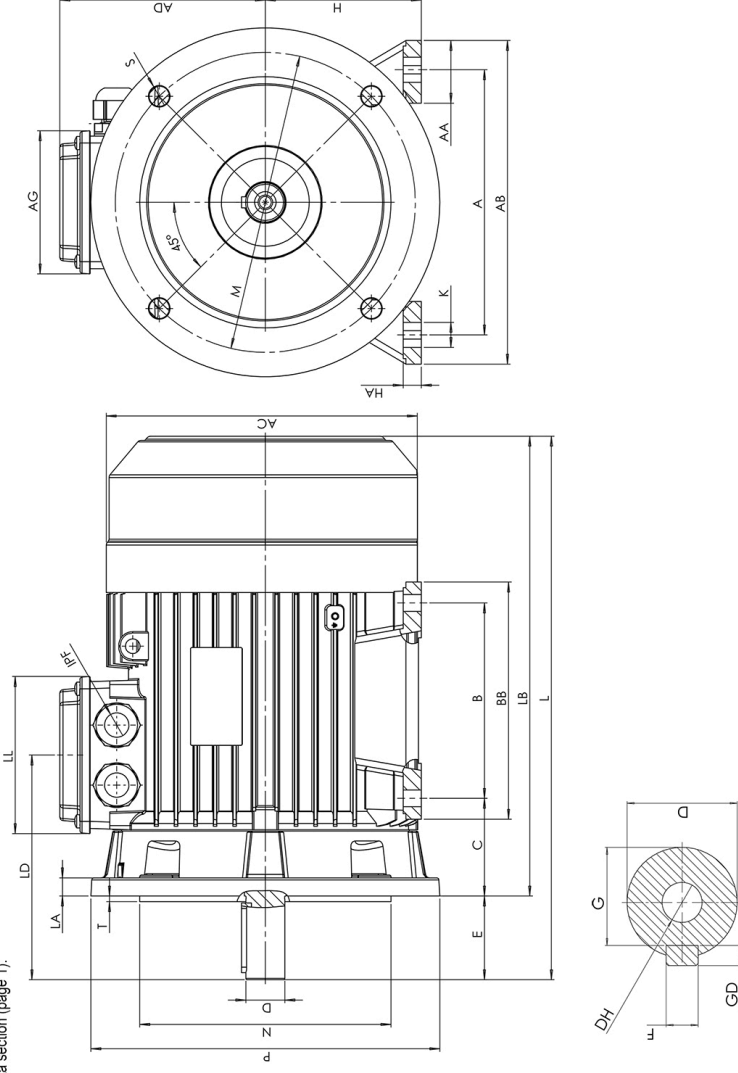
# Dimension drawings

## Three-Phase-Asynchronous- Motor FOPA 80 B 4 /PHE

### IE30G08B4051



Die Zeichnung dient lediglich als Skizze um Maße darzustellen. Das gelieferte Produkt kann von dieser Skizze abweichen. Die detaillierte Beschreibung des Produkts befindet sich im Datenabschnitt (Seite 1).  
 The drawing serves only as a sketch to show dimensions. The delivered product may differ from this sketch. The detailed description of the product can be found in the Data section (page 1).



A	AA	AB	AC	AD	B	BB	C	D	E	H	HD	HA	K	L	LA	M	N	P	S	T	F	G	DH	GD
125	36	164	160	121	100	124	50	19	40	80	194,5	12	10	289	12	165	130	200	4x12	3,5	6	15,5	M6	6