

THREE-PHASE-ASYNCHRONOUS-MOTOR FCA 71 A 2 /HE

IE2AC07A2007

General data

| | |
|--------------------------|-------------------------------|
| Type of motor | 3~ |
| Type designation | FCA |
| Frame size | 71 |
| Mounting | B5 |
| Frame material | Aluminium |
| Insulationclass | F/B |
| Terminal box location | top DE |
| Terminal box orientation | cable gland to the right side |
| Weight (kg) | 6.4 |
| Rotation Direction | right /left |
| Vibration level | A |
| Balancing method | half key |
| cooling type | IC411 |
| Executed acc. to | IEC 60034-1 |
| noise level | IEC 60034-9 |

Influential factors

| | |
|--------------------------|---------------|
| Duty | S1 |
| Ambient temperature (°C) | -20 up to +40 |
| Height of location (m) | 1000 |

Electrical specification

| | |
|---|------------|
| Power 1 50Hz (kW) | 0.37 |
| Power 1 60Hz (kW) | 0.37 |
| Frequency (Hz) | 50/60 |
| Voltage 50Hz (V) | 230/400 |
| Voltage 60Hz (V) | 265/460 |
| Voltage/Frequency tolerance (not valid for range voltage) | +/-10% |
| Connection | Δ/Y |
| Poles | 2 |
| Efficiency 100% 50Hz (%) | 69,5 |
| Efficiency 75% 50Hz (%) | 69,5 |
| Efficiency 50% 50Hz (%) | 68,1 |
| Efficiency 100% 60Hz (%) | 72 |
| Efficiency 75% 60Hz (%) | 69,5 |
| Efficiency 50% 60Hz (%) | 68,1 |
| Power factor | 0,81 |
| Starting current factor | 6,1 |
| Starting torque factor | 2,2 |
| Tilting moment factor | 2,2 |
| Rated current 50Hz (A) | 1,65/0,95 |
| Rated current 60Hz (A) | 1,39/0,80 |
| Eff.Cl.50Hz | IE2 |
| Eff.Cl.60Hz | IE2 |

Mechanical data

| | |
|-------------------------------------|---------------|
| Torque (Nm) | 1,29/1,07 |
| Rotation speed (1/min) | 2745/3294 |
| Bearing DE | 6202.ZZ.C3 |
| Bearing NDE | 6202.ZZ.C3 |
| Mounting of bearing DE | loose bearing |
| Mounting of bearing NDE | loose bearing |
| Bearing lifetime | 20000 |
| allow. Radial load (X/2) | 337,5 |
| allow. Radial load (X0) | 375 |
| allow. Radial load (Xmax) | 300 |
| allow. Axial load B3,B5,B35,B14,B34 | 300 |
| allow. Axial load V1,V3,V19,V18 | 280 |

Motor properties

| | |
|-------------------------------------|------------------------|
| Color | RAL7030 |
| Paint surface | shiny |
| Protection class | IP55 |
| Cable gland size (cable connection) | 1xM20x1,5 1xblind plug |
| Cable gland size (option) | M16x1,5 |
| Cable gland type | Standard |
| Shaft end | 14 x 30 |
| Shaft material | C45 |
| Specification NDE | Plastic fan |
| Flange | 160 |

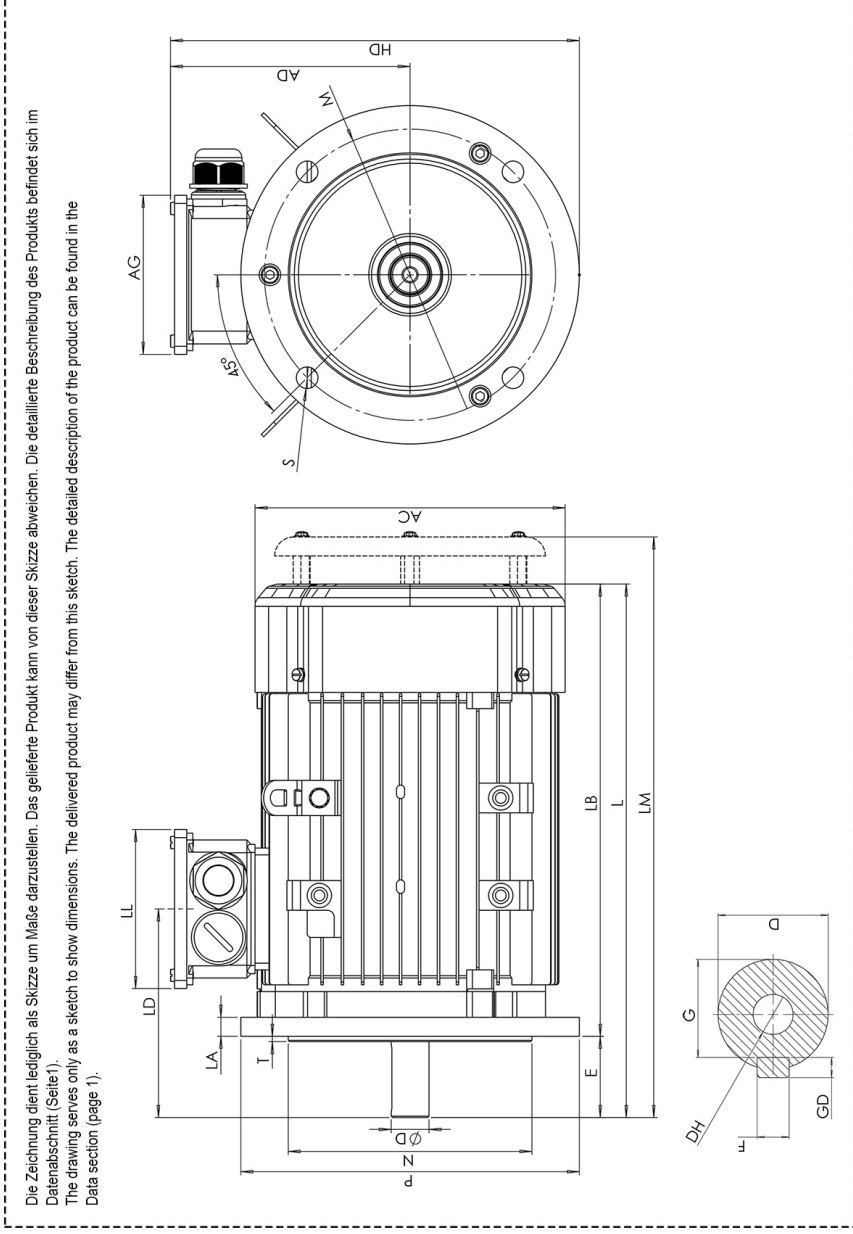
Additional option

| | |
|--------------------|-----------|
| Protection winding | PTC 150°C |
|--------------------|-----------|

Dimension drawings

Three-Phase-Asynchronous- Motor FCA 71 A 2 /HE

IE2AC07A2007



| AC | AD | AG | D | E | HD | L | LM | LA | LB | LL | M | N | P | S | T | F | G | DH | EB | ED | GD |
|-----|-----|-----|----|----|-----|-----|-----|----|-----|-----|-----|-----|-----|------|-----|---|----|-------|-----|-----|----|
| 136 | 109 | 101 | 14 | 30 | 189 | 245 | 275 | 10 | 215 | 101 | 130 | 110 | 140 | 4x10 | 3.5 | 5 | 11 | M5x12 | 2.5 | 2.5 | 5 |