

## THREE-PHASE-ASYNCHRONOUS-MOTOR ACA 63 A 4 /HE

IE2AC06A4001

### General data

Type of motor	3~
Type designation	ACA
Frame size	63
Mounting	B3
Frame material	Aluminium
Insulationclass	F/B
Terminal box location	top DE
Terminal box orientation	cable gland to the right side
Weight (kg)	4.6
Rotation Direction	right /left
Vibration level	A
Balancing method	half key
cooling type	IC411
Executed acc. to	IEC 60034-1
noise level	IEC 60034-9

### Influential factors

Duty	S1
Ambient temperature (°C)	-20 up to +40
Height of location (m)	1000

### Electrical specification

Power 1 50Hz (kW)	0.12
Power 1 60Hz (kW)	0.12
Frequency (Hz)	50/60
Voltage 50Hz (V)	230/400
Voltage 60Hz (V)	265/460
Voltage/Frequency tolerance (not valid for range voltage)	+/-10%
Connection	Δ/Y
Poles	4
Efficiency 100% 50Hz (%)	59,1
Efficiency 75% 50Hz (%)	59,1
Efficiency 50% 50Hz (%)	57,9
Efficiency 100% 60Hz (%)	64
Efficiency 75% 60Hz (%)	59,1
Efficiency 50% 60Hz (%)	57,9
Power factor	0,72
Starting current factor	4,4
Starting torque factor	2,1
Tilting moment factor	2,2
Rated current 50Hz (A)	0,71/0,41
Rated current 60Hz (A)	0,57/0,33
Eff.Cl.50Hz	IE2
Eff.Cl.60Hz	IE2

### Mechanical data

Torque (Nm)	0,87/0,73
Rotation speed (1/min)	1315/1578
Bearing DE	6201.ZZ.C3
Bearing NDE	6201.ZZ.C3
Mounting of bearing DE	loose bearing
Mounting of bearing NDE	loose bearing
Bearing lifetime	20000
allow. Radial load (X/2)	375
allow. Radial load (X0)	400
allow. Radial load (Xmax)	350
allow. Axial load B3,B5,B35,B14,B34	350
allow. Axial load V1,V3,V19,V18	335

### Motor properties

Color	RAL7030
Paint surface	shiny
Protection class	IP55
Cable gland size (cable connection)	1xM20x1,5 1xblind plug
Cable gland type	Standard
Shaft end	11 x 23
Shaft material	C45
Specification NDE	Plastic fan

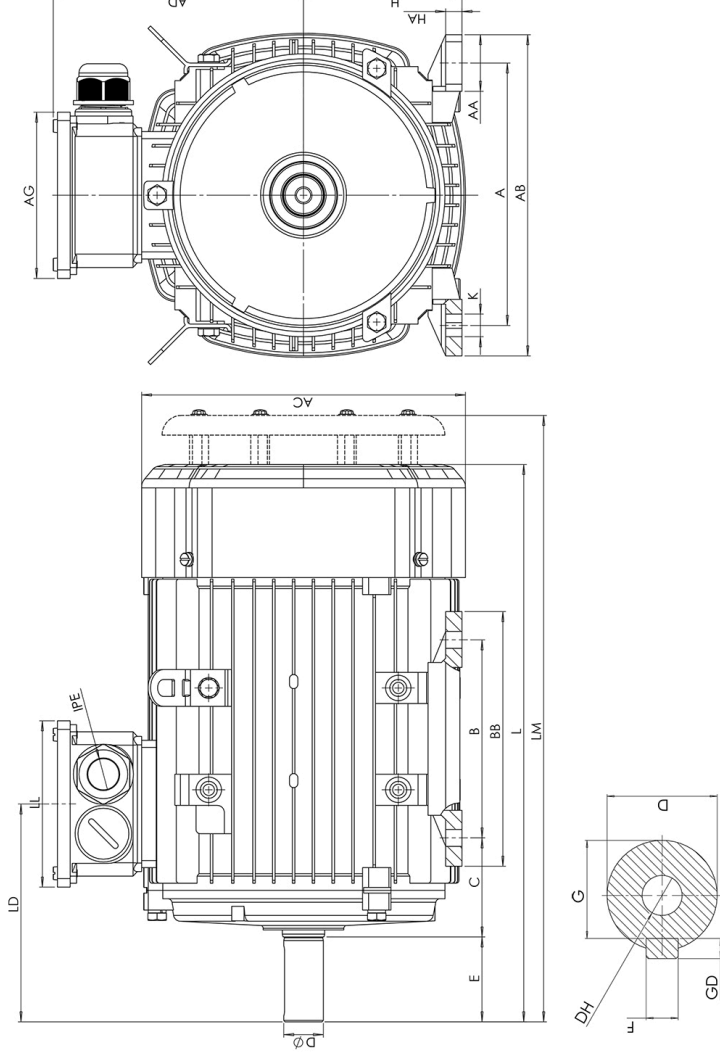
# Dimension drawings

## Three-Phase-Asynchronous- Motor ACA 63 A 4 /HE

### IE2AC06A4001



Die Zeichnung dient lediglich als Skizze um Maße darzustellen. Das gelieferte Produkt kann von dieser Skizze abweichen. Die detaillierte Beschreibung des Produkts befindet sich im Datenabschnitt (Seite 1).  
 The drawing serves only as a sketch to show dimensions. The delivered product may differ from this sketch. The detailed description of the product can be found in the Data section (page 1).



<b>A</b>	<b>AA</b>	<b>AB</b>	<b>AC</b>	<b>AD</b>	<b>AG</b>	<b>B</b>	<b>BB</b>	<b>C</b>	<b>D</b>	<b>E</b>	<b>H</b>	<b>HA</b>	<b>K</b>	<b>L</b>	<b>LM</b>	<b>LD</b>	<b>LL</b>	<b>F</b>	<b>G</b>	<b>DH</b>	<b>EB</b>	<b>ED</b>	<b>GD</b>
100	24	123	120	102	101	80	100	40	11	23	63	7	7x9,5	217	247	96	101	4	8,5	M4x12	16	3,5	4