

THREE-PHASE-ASYNCHRONOUS-MOTOR E3-ASA 160 L 4

IE3UM16L4200

General data

Type of motor	3~ explosion proof
Type designation	E3-ASA
Frame size	160
Mounting	B3
Frame execution	L
Frame material	Grauguß
Insulationclass	F/F
Terminal box location	top DE
Terminal box orientation	cable gland to the right side
Weight (kg)	215
Rotation Direction	right /left
Vibration level	A
Balancing method	half key
cooling type	IC411
Executed acc. to	IEC 60034 -1, EN 60079-0/-1
noise level	IEC 60034-9

Influential factors

Duty	S1
Ambient temperature (°C)	-20 up to +40
Height of location (m)	1000

Electrical specification

Power 1 50Hz (kW)	15
Power 1 60Hz (kW)	17,25
Frequency (Hz)	50/60
Voltage 50Hz (V)	400/690
Voltage 60Hz (V)	460/-
Voltage/Frequency tolerance (not valid for range voltage)	+/-5%
Connection	Δ/Y
Poles	4
Efficiency 100% 50Hz (%)	92,1
Efficiency 75% 50Hz (%)	91,3
Efficiency 50% 50Hz (%)	89,0
Efficiency 100% 60Hz (%)	93,6
Efficiency 75% 60Hz (%)	91,4
Efficiency 50% 60Hz (%)	89,1
Power factor	0,91
Starting current factor	7,5
Starting torque factor	2,2
Tilting moment factor	2,8
Rated current 50Hz (A)	26,17/15,12
Rated current 60Hz (A)	26,17
Eff.Cl.50Hz	IE3

Electrical specification

Eff.Cl.60Hz	IE3
-------------	-----

Mechanical data

Torque (Nm)	98,66/118,39
Rotation speed (1/min)	1452/1742
Bearing DE	
Bearing NDE	
Mounting of bearing DE	fixed bearing
Mounting of bearing NDE	loose bearing
Bearing lifetime	20000
allow. Radial load (X/2)	3000
allow. Radial load (X0)	3350
allow. Radial load (Xmax)	2650
allow. Axial load B3,B5,B35,B14,B34	2850
allow. Axial load V1,V3,V19,V18	2770
Moment of inertia	0,093947

Motor properties

Color	RAL7030
Paint surface	matt
Protection class	IP55
Cable gland size (cable connection)	M40x1,5
Cable gland size (option)	M20x1,5
Cable gland type	Atex
Shaft end	42 x 110
Shaft material	C45
Specification NDE	Metal fan

Additional option

Protection winding	PTC 130°C
Atex	II 2G Ex db eb IIC T4 Gb

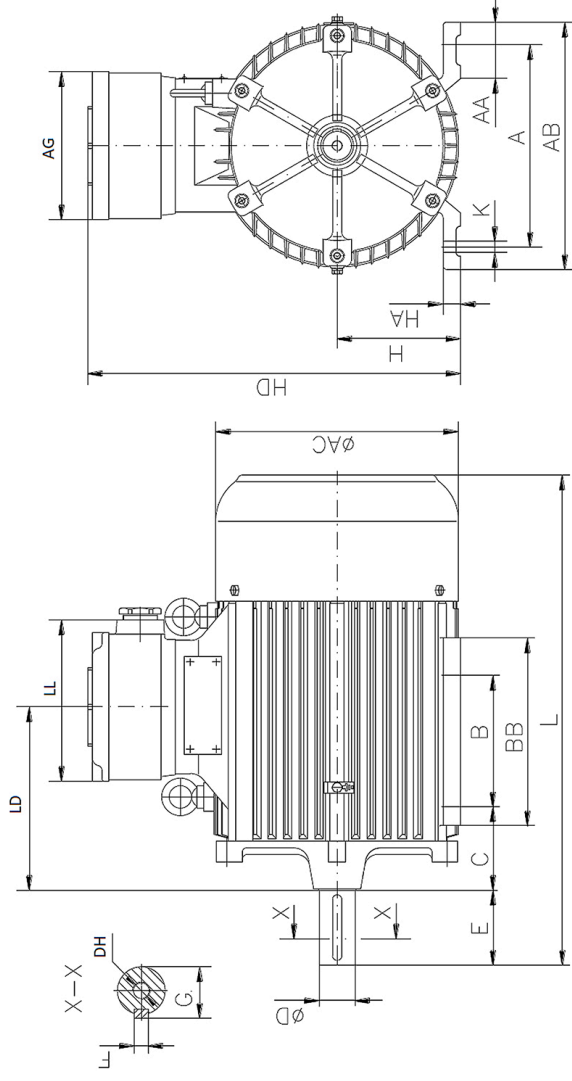
Dimension drawings

Three-Phase-Asynchronous- Motor E3-ASA 160 L 4

IE3UM16L4200



Die Zeichnung dient lediglich als Skizze um Maße darzustellen. Das gelieferte Produkt kann von dieser Skizze abweichen. Die detaillierte Beschreibung des Produkts befindet sich im Datenabschnitt (Seite 1).
 The drawing serves only as a sketch to show dimensions. The delivered product may differ from this sketch. The detailed description of the product can be found in the Data section (page 1).



A	AA	AB	AC	AG	B	BB	C	D	E	H	HD	HA	K	L	LD	LL	F	G	DH
254	80	320	317	195	254	330	108	42	110	160	471	20	14,5	710	245	210	12	45	M16