

THREE-PHASE-ASYNCHRONOUS-MOTOR ACA 71 A 4/8

AC07A4800002

General data

Type of motor	3~ multi speed
Type designation	ACA
Frame size	71
Mounting	B3
Frame material	Aluminium
Insulationclass	F/B
Terminal box location	top DE
Terminal box orientation	cable gland to the right side
Weight (kg)	7
Rotation Direction	right /left
Vibration level	A
Balancing method	half key
cooling type	IC411
Executed acc. to	IEC 60034-1
noise level	IEC 60034-9

General data double-speed motors

Power 2 50Hz (kW)	0.06
-------------------	------

Influential factors

Duty	S1
Ambient temperature (°C)	-20 up to +40
Height of location (m)	1000

Electrical specification

Power 1 50Hz (kW)	0.3
Frequency (Hz)	50
Voltage 50Hz (V)	380-420
Voltage/Frequency tolerance (not valid for range voltage)	+/-10%
Connection	YY/Y
Poles	4/8
Efficiency 100% 50Hz (%)	64/45
Power factor	0,53/0,42
Starting current factor	6,5/5,5
Starting torque factor	1,4/1,8
Tilting moment factor	2
Rated current 50Hz (A)	1,33/0,46

Mechanical data

Torque (Nm)	1,91/0,76
Rotation speed (1/min)	1430/710
Bearing DE	6202.ZZ.C3
Bearing NDE	6202.ZZ.C3

Mechanical data

Mounting of bearing DE	loose bearing
Mounting of bearing NDE	loose bearing
Bearing lifetime	20000
allow. Radial load (X/2)	412
allow. Radial load (X0)	450
allow. Radial load (Xmax)	375
allow. Axial load B3,B5,B35,B14,B34	400
allow. Axial load V1,V3,V19,V18	380

Motor properties

Color	RAL7030
Paint surface	shiny
Protection class	IP55
Cable gland size (cable connection)	1xM20x1,5 1xblind plug
Cable gland size (option)	M16x1,5
Cable gland type	Standard
Shaft end	14 x 30
Shaft material	C45
Specification NDE	Plastic fan

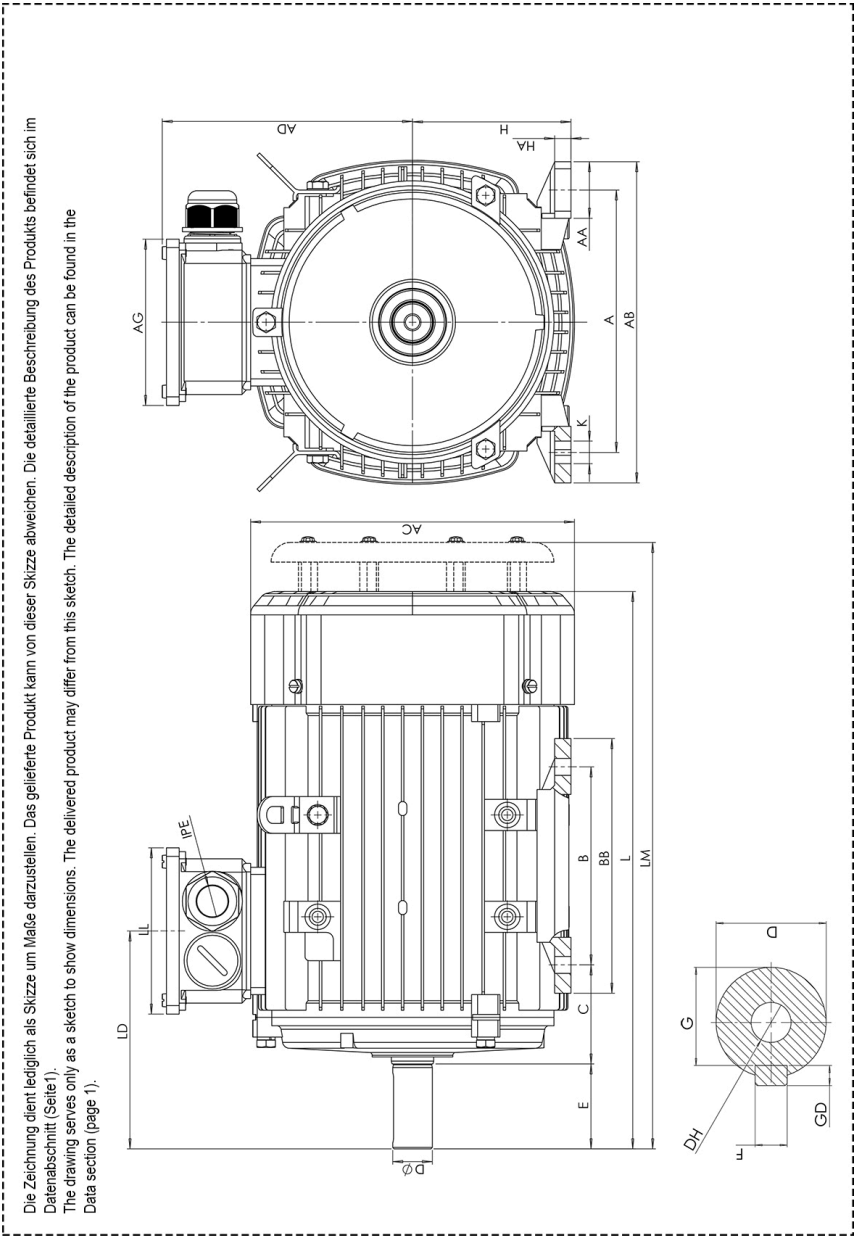
Additional option

Protection winding	PTC 150°C
--------------------	-----------

Dimension drawings

Three-Phase-Asynchronous-Motor ACA 71 A 4/8

AC07A4800002



Die Zeichnung dient lediglich als Skizze um Maße darzustellen. Das gelieferte Produkt kann von dieser Skizze abweichen. Die detaillierte Beschreibung des Produkts befindet sich im Datenabschnitt (Seite 1).
 The drawing serves only as a sketch to show dimensions. The delivered product may differ from this sketch. The detailed description of the product can be found in the Data section (page 1).

A	AA	AB	AC	AD	AG	B	BB	C	D	E	H	HA	K	L	LM	LD	LL	F	G	DH	EB	ED	GD
112	26	138	136	109	101	90	110	45	14	30	71	8	7x11	245	275	111	101	5	11	M5x12	25	2,5	5