

## THREE-PHASE-ASYNCHRONOUS-MOTOR FCA 100 LC 2 /PHE

IE3AC10LC200

### General data

Type of motor	3~ progressiv
Type designation	FCA
Frame size	100
Mounting	B5
Frame execution	L
Frame material	Aluminium
Insulationclass	F/B
Terminal box location	top DE
Terminal box orientation	cable gland to the right side
Weight (kg)	23.7
Rotation Direction	right /left
Vibration level	A
Balancing method	half key
cooling type	IC411
Executed acc. to	IEC 60034-1
noise level	IEC 60034-9

### Influential factors

Duty	S1
Ambient temperature (°C)	-20 up to +40
Height of location (m)	1000

### Electrical specification

Power 1 50Hz (kW)	4
Power 1 60Hz (kW)	4.8
Frequency (Hz)	50/60
Voltage 50Hz (V)	400/690
Voltage 60Hz (V)	460/795
Voltage tolerance	+/-10%
Connection	$\Delta/Y$
Poles	2
Efficiency 100% 50Hz (%)	88,1
Efficiency 75% 50Hz (%)	88,1
Efficiency 50% 50Hz (%)	86,3
Efficiency 100% 60Hz (%)	89,5
Power factor	0,88
Starting current factor (Ia/In)	8,3
Starting torque factor (Ma/Mn)	2,3
Breakdown torque (Mk/Mn)	2,3
Rated current 50Hz (A)	7,45/4,32
Rated current 60Hz (A)	6,38/3,70
Eff.Cl.50Hz	IE3
Eff.Cl.60Hz	IE3

### Mechanical data

Torque (Nm)	13,20/11
Rotation speed (1/min)	2895/3474
Bearing DE	6206.ZZ.C3
Bearing NDE	6206.ZZ.C3
Mounting of bearing DE	loose bearing
Mounting of bearing NDE	loose bearing
Bearing lifetime (h)	20000
allow. Radial load (X/2)	887
allow. Radial load (X0)	1000
allow. Radial load (Xmax)	775
allow. Axial load	700
allow. Axial load (V1)	655
Moment of inertia (kgm <sup>2</sup> )	0,0045

### Motor properties

Color	RAL7030
Paint surface	shiny
Protection class	IP55
Cable gland size (cable connection)	1xM25x1,5 1xblind plug
Cable gland size (option)	M16x1,5
Cable gland type	Standard
Shaft end (mm)	28 x 60
Shaft material	C45
Specification NDE	Plastic fan
Flange	250

### Additional operating points

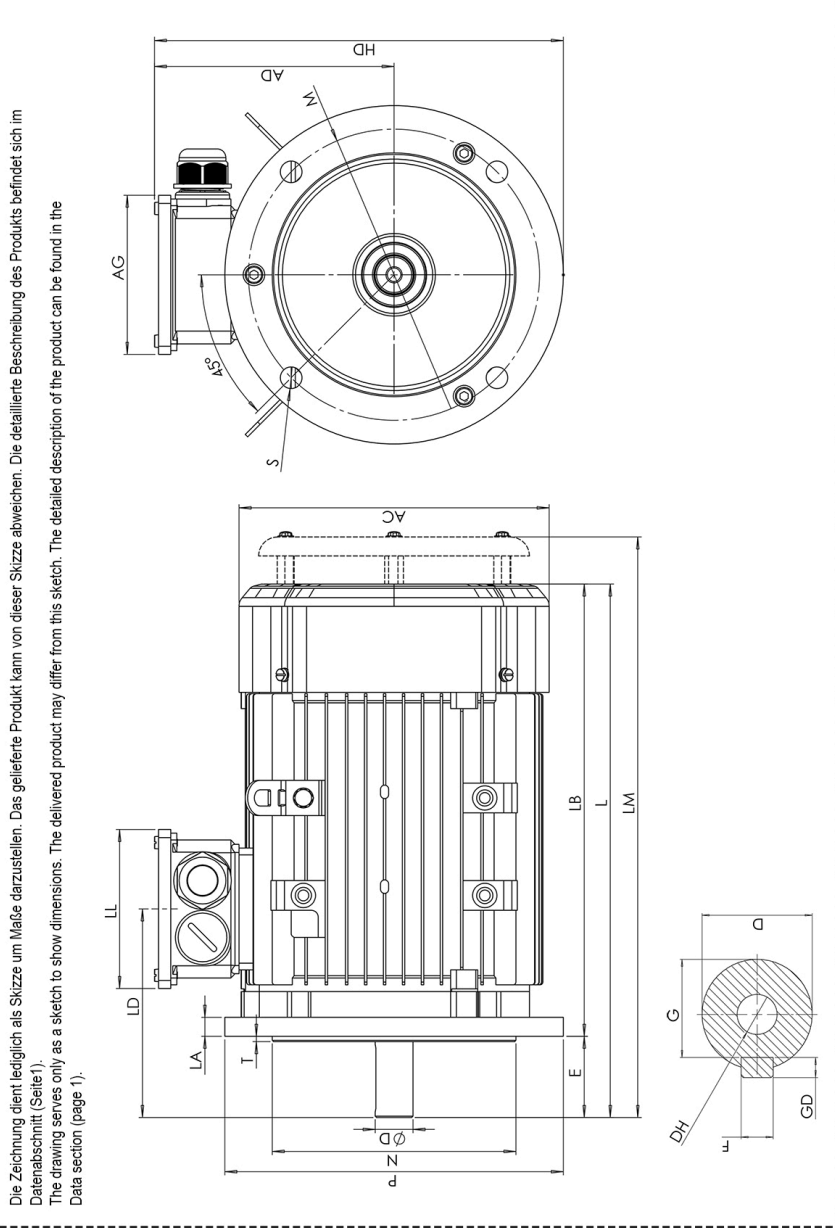
Voltage operating point 2	460/795
Power operating point 2 (kW)	4.8
Connection operating point 2	$\Delta/Y$
Frequency operating point 2	60
Efficiency class operating point 2	IE2

### Additional option

Protection winding	PTC 150°C
--------------------	-----------

# Dimension drawings

## Three-Phase-Asynchronous- Motor FCA 100 LC 2 /PHE IE3AC10LC200



AC	AD	AG	D	E	HD	L	LM	LA	LB	LD	LL	M	N	P	S	T	F	G	DH	EB	ED	GD
198	159,5	109	28	60	281	393	423	13	333	144	109	215	180	250	4x14,5	4	8	24	M10x22	50	5	7