

## THREE-PHASE-ASYNCHRONOUS-MOTOR E3-ASA 132 SB 2

IE3UM13M2100

### General data

Type of motor	3~ explosion proof
Type designation	E3-ASA
Frame size	132
Mounting	B3
Frame execution	S
Frame material	Grauguß
Insulationclass	F/F
Terminal box location	top DE
Terminal box orientation	cable gland to the right side
Weight (kg)	118
Rotation Direction	right /left
Vibration level	A
Balancing method	half key
cooling type	IC411
Executed acc. to	IEC 60034 -1, EN 60079-0/-1
noise level	IEC 60034-9

### Influential factors

Duty	S1
Ambient temperature (°C)	-20 up to +40
Height of location (m)	1000

### Electrical specification

Power 1 50Hz (kW)	7.5
Power 1 60Hz (kW)	8.63
Frequency (Hz)	50/60
Voltage 50Hz (V)	400/690
Voltage 60Hz (V)	460/-
Voltage/Frequency tolerance (not valid for range voltage)	+/-5%
Connection	Δ/Y
Poles	2
Efficiency 100% 50Hz (%)	91,3
Efficiency 75% 50Hz (%)	91,1
Efficiency 50% 50Hz (%)	88,8
Efficiency 100% 60Hz (%)	90,2
Efficiency 75% 60Hz (%)	91,1
Efficiency 50% 60Hz (%)	88,8
Power factor	0,90
Starting current factor	7,5
Starting torque factor	2,6
Tilting moment factor	2,6
Rated current 50Hz (A)	13,16/7,63
Rated current 60Hz (A)	13,34
Eff.Cl.50Hz	IE3

### Electrical specification

Eff.Cl.60Hz	IE3
-------------	-----

### Mechanical data

Torque (Nm)	24,40/29,28
Rotation speed (1/min)	2936/3523
Bearing DE	
Bearing NDE	
Mounting of bearing DE	fixed bearing
Mounting of bearing NDE	loose bearing
Bearing lifetime	20000
allow. Radial load (X/2)	1312
allow. Radial load (X0)	1475
allow. Radial load (Xmax)	1150
allow. Axial load B3,B5,B35,B14,B34	1075
allow. Axial load V1,V3,V19,V18	1025
Moment of inertia	0,020965

### Motor properties

Color	RAL7030
Paint surface	matt
Protection class	IP55
Cable gland size (cable connection)	M32x1,5
Cable gland size (option)	M20x1,5
Cable gland type	Atex
Shaft end	38 x 80
Shaft material	C45
Specification NDE	Plastic fan

### Additional option

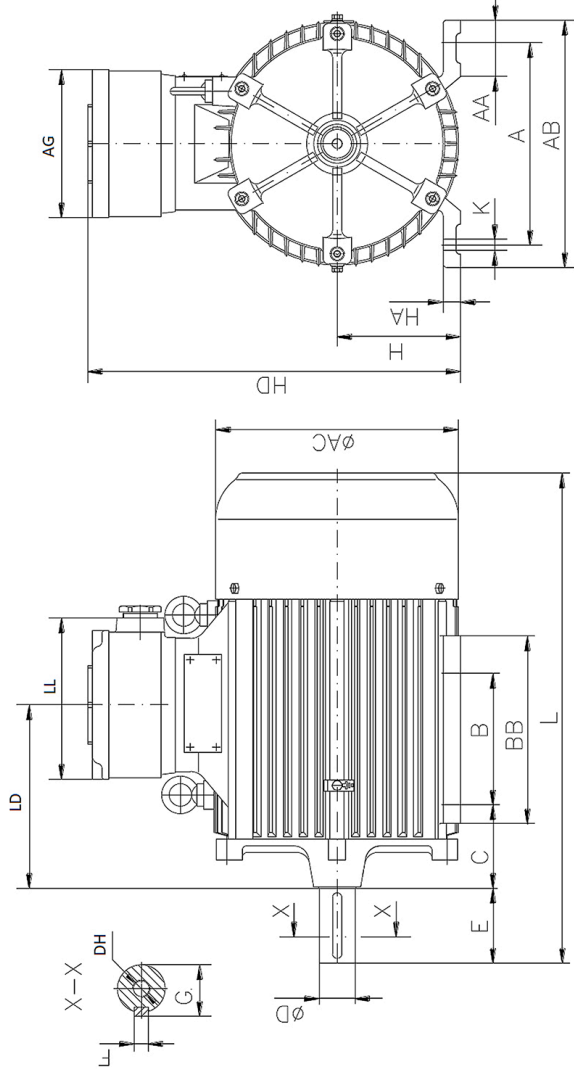
Protection winding	PTC 130°C
Atex	II 2G Ex db eb IIC T4 Gb

# Dimension drawings

## Three-Phase-Asynchronous- Motor E3-ASA 132 SB 2 IE3UM13M2100



Die Zeichnung dient lediglich als Skizze um Maße darzustellen. Das gelieferte Produkt kann von dieser Skizze abweichen. Die detaillierte Beschreibung des Produkts befindet sich im Datenabschnitt (Seite 1).  
The drawing serves only as a sketch to show dimensions. The delivered product may differ from this sketch. The detailed description of the product can be found in the Data section (page 1).



<b>A</b>	<b>AA</b>	<b>AB</b>	<b>AC</b>	<b>AG</b>	<b>B</b>	<b>BB</b>	<b>C</b>	<b>D</b>	<b>E</b>	<b>H</b>	<b>HD</b>	<b>HA</b>	<b>K</b>	<b>L</b>	<b>LD</b>	<b>LL</b>	<b>F</b>	<b>G</b>	<b>DH</b>
216	60	264	263	160	140	200	89	38	80	132	400	19	12	653	225	175	10	41	M12