

THREE-PHASE-ASYNCHRONOUS-MOTOR FCPA 90 L 2 /PHE

IE3AC09L2061

General data

Type of motor	3~
Type designation	FCPA
Frame size	90
Mounting	B34a
Frame execution	L
Frame material	Aluminium
Insulationclass	F/B
Terminal box location	top DE
Terminal box orientation	cable gland to the right side
Weight (kg)	17
Rotation Direction	right /left
Vibration level	A
Balancing method	half key
cooling type	IC411
Executed acc. to	IEC 60034-1
noise level	IEC 60034-9

Influential factors

Duty	S1
Ambient temperature (°C)	-20 up to +40
Height of location (m)	1000

Electrical specification

Power 1 50Hz (kW)	2.2
Power 1 60Hz (kW)	2.2
Frequency (Hz)	50/60
Voltage 50Hz (V)	230/400
Voltage 60Hz (V)	265/460
Voltage tolerance	+/-10%
Connection	Δ/Y
Poles	2
Efficiency 100% 50Hz (%)	85,9
Efficiency 75% 50Hz (%)	85,9
Efficiency 50% 50Hz (%)	84,2
Efficiency 100% 60Hz (%)	86,5
Efficiency 75% 60Hz (%)	86,5
Efficiency 50% 60Hz (%)	84,8
Power factor	0,85
Starting current factor (I_a/I_n)	7,8
Starting torque factor (M_a/M_n)	2,3
Breakdown torque (M_k/M_n)	2,3
Rated current 50Hz (A)	7,56/4,35
Rated current 60Hz (A)	6,53/3,79
Eff.Cl.50Hz	IE3
Eff.Cl.60Hz	IE3

Mechanical data

Torque (Nm)	7,26/6,05
Rotation speed (1/min)	2895/3474
Bearing DE	6205.ZZ.C3
Bearing NDE	6205.ZZ.C3
Mounting of bearing DE	loose bearing
Mounting of bearing NDE	loose bearing
Bearing lifetime (h)	20000
allow. Radial load (X/2)	625
allow. Radial load (X0)	700
allow. Radial load (Xmax)	550
allow. Axial load	500
allow. Axial load (V1)	460
Moment of inertia (kgm ²)	0,0018

Motor properties

Color	RAL7030
Paint surface	shiny
Protection class	IP55
Cable gland size (cable connection)	1xM25x1,5 1xblind plug
Cable gland size (option)	M16x1,5
Cable gland type	Standard
Shaft end (mm)	24 x 50
Shaft material	C45
Specification NDE	Plastic fan
Flange	140

Additional operating points

Voltage operating point 2	265/460
Power operating point 2 (kW)	2.64
Connection operating point 2	Δ/Y
Frequency operating point 2	60
Efficiency class operating point 2	IE2

Additional option

Protection winding	PTC 150°C
--------------------	-----------

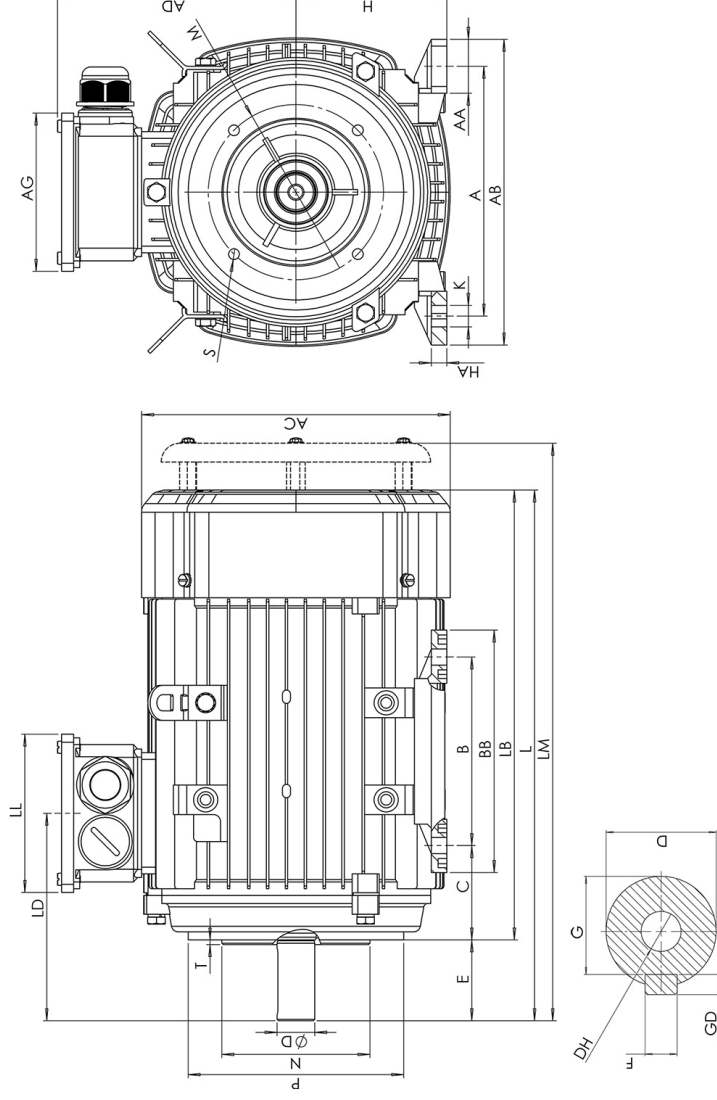
Dimension drawings

Three-Phase-Asynchronous- Motor FCPA 90 L 2 /PHE

IE3AC09L2061



Die Zeichnung dient lediglich als Skizze um Maße darzustellen. Das gelieferte Produkt kann von dieser Skizze abweichen. Die detaillierte Beschreibung des Produkts befindet sich im Datenabschnitt (Seite 1).
 The drawing serves only as a sketch to show dimensions. The delivered product may differ from this sketch. The detailed description of the product can be found in the Data section (page 1).



A	140	AA	37	AB	173	AC	165	AD	138	AG	109	B	125	BB	150	C	56	D	24	E	50	H	90	HD	228	HA	10	K	10x14	L	338	LM	368	LB	290	LD	136	LL	109	M	115	N	95	P	140	S	M8	T	3
F	8	G	20	DH	M8x19	EB	40	ED	5	GD	7																																						