

THREE-PHASE-ASYNCHRONOUS-MOTOR ACA 80 A 2/4

AC08L2400000

General data

| | |
|--------------------------|-------------------------------|
| Type of motor | 3~ multi speed |
| Type designation | ACA |
| Frame size | 80 |
| Mounting | B3 |
| Frame material | Aluminium |
| Insulationclass | F/B |
| Terminal box location | top DE |
| Terminal box orientation | cable gland to the right side |
| Weight (kg) | 16 |
| Rotation Direction | right /left |
| Vibration level | A |
| Balancing method | half key |
| cooling type | IC411 |
| Executed acc. to | IEC 60034-1 |
| noise level | IEC 60034-9 |

General data double-speed motors

| | |
|-------------------|------|
| Power 2 50Hz (kW) | 0.17 |
|-------------------|------|

Influential factors

| | |
|--------------------------|---------------|
| Duty | S1 |
| Ambient temperature (°C) | -20 up to +40 |
| Height of location (m) | 1000 |

Electrical specification

| | |
|---------------------------------|-----------|
| Power 1 50Hz (kW) | 0.75 |
| Frequency (Hz) | 50 |
| Voltage 50Hz (V) | 400 |
| Voltage tolerance | +/-10% |
| Connection | YY/Y |
| Poles | 2/4 |
| Efficiency 100% 50Hz (%) | 72/61 |
| Power factor | 0,81/0,50 |
| Starting current factor (Ia/In) | 6,5/5,0 |
| Starting torque factor (Ma/Mn) | 1,6/1,6 |
| Breakdown torque (Mk/Mn) | 2 |
| Rated current 50Hz (A) | 1,86/0,80 |

Mechanical data

| | |
|------------------------|---------------|
| Torque (Nm) | 2,54/1,19 |
| Rotation speed (1/min) | 2825/1360 |
| Bearing DE | 6204.ZZ.C3 |
| Bearing NDE | 6204.ZZ.C3 |
| Mounting of bearing DE | loose bearing |

Mechanical data

| | |
|---------------------------------------|---------------|
| Mounting of bearing NDE | loose bearing |
| Bearing lifetime (h) | 20000 |
| allow. Radial load (X/2) | 700 |
| allow. Radial load (X0) | 775 |
| allow. Radial load (Xmax) | 625 |
| allow. Axial load | 625 |
| allow. Axial load (V1) | 595 |
| Moment of inertia (kgm ²) | 0,0009 |

Motor properties

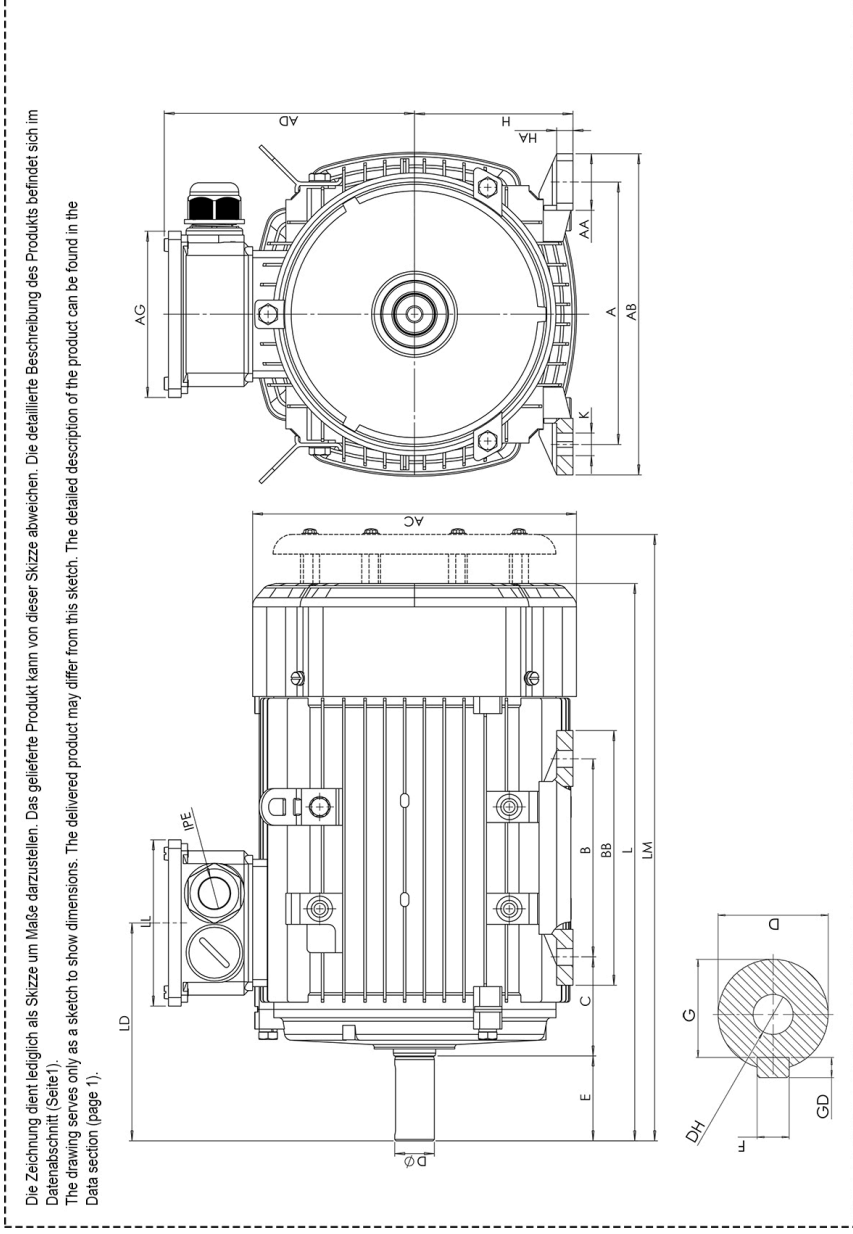
| | |
|-------------------------------------|------------------------|
| Color | RAL7030 |
| Paint surface | shiny |
| Protection class | IP55 |
| Cable gland size (cable connection) | 1xM20x1,5 1xblind plug |
| Cable gland size (option) | M16x1,5 |
| Cable gland type | Standard |
| Shaft end (mm) | 19 x 40 |
| Shaft material | C45 |
| Specification NDE | Plastic fan |

Additional option

| | |
|--------------------|-----------|
| Protection winding | PTC 150°C |
|--------------------|-----------|

Dimension drawings

Three-Phase-Asynchronous-Motor ACA 80 A 2/4 AC08L2400000



| A | AA | AB | AC | AD | AG | B | BB | C | D | E | H | HA | K | L | LM | LD | LL | F | G | DH | EB | ED | GD |
|-----|----|-----|-----|-----|-----|-----|-----|----|----|----|----|----|-------|-----|-----|-----|-----|---|------|-------|----|----|----|
| 125 | 35 | 157 | 155 | 124 | 101 | 100 | 125 | 50 | 19 | 40 | 80 | 9 | 10x14 | 277 | 307 | 118 | 101 | 6 | 15,5 | M6x16 | 30 | 5 | 6 |