

## SINGLE-PHASE MOTOR FBS 63 B 2

AB06B4100008

### General data

Type of motor	1~
Type designation	FBS
Frame size	63
Mounting	B14a
Frame material	Aluminium
Insulationclass	F/B
Terminal box location	top DE
Terminal box orientation	cable gland to the back side NDE
Weight (kg)	4.4
Rotation Direction	Clockwise
Vibration level	A
Balancing method	half key
cooling type	IC411
Executed acc. to	IEC 60034-1
noise level	IEC 60034-9

### Influential factors

Duty	S1
Ambient temperature (°C)	-20 up to +40
Height of location (m)	1000

### Electrical specification

Power 1 50Hz (kW)	0.25
Frequency (Hz)	50
Voltage 50Hz (V)	230
Voltage tolerance	+/-10%
Poles	2
Efficiency 100% 50Hz (%)	63,0
Power factor	0,92
Starting current factor (Ia/In)	3,6
Starting torque factor (Ma/Mn)	0,4
Breakdown torque (Mk/Mn)	0,4
Rated current 50Hz (A)	1,88

### Mechanical data

Torque (Nm)	0,85
Rotation speed (1/min)	2800
Bearing DE	6201.ZZ.C3
Bearing NDE	6201.ZZ.C3
Mounting of bearing DE	loose bearing
Mounting of bearing NDE	loose bearing
Bearing lifetime (h)	20000
allow. Radial load (X/2)	300
allow. Radial load (X0)	325
allow. Radial load (Xmax)	275

### Mechanical data

allow. Axial load	250
allow. Axial load (V1)	235
Moment of inertia (kgm <sup>2</sup> )	0,000886

### Motor properties

Color	RAL7030
Paint surface	shiny
Protection class	IP55
Cable gland size (cable connection)	1xM16
Cable gland type	Standard
Shaft end (mm)	11 x 23
Shaft material	C45
Specification NDE	Plastic fan
Flange	90

### Motor properties Single-phase

Capacitor	BK
O.C. Capacity	12 myF/450 V

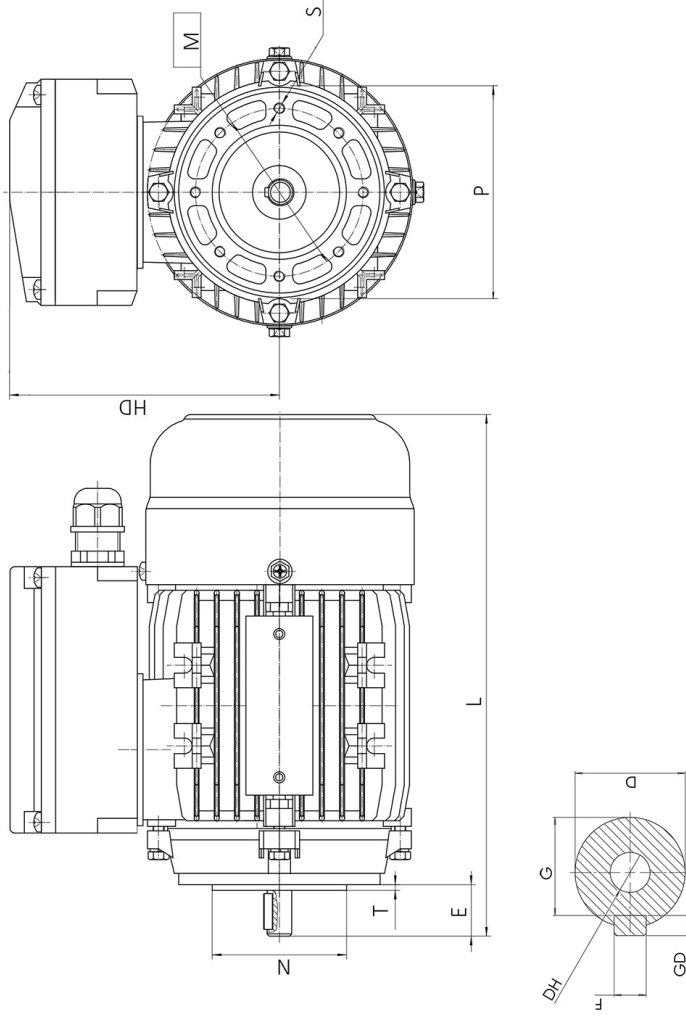
# Dimension drawings

## Single-phase motor FBS 63 B 2

### AB06B4100008



Die Zeichnung dient lediglich als Skizze um Maße darzustellen. Das gelieferte Produkt kann von dieser Skizze abweichen. Die detaillierte Beschreibung des Produkts befindet sich im Datenabschnitt (Seite 1).  
 The drawing serves only as a sketch to show dimensions. The delivered product may differ from this sketch. The detailed description of the product can be found in the Data section (page 1).



D	E	H	HD	L	M	N	P	S	T	F	G	DH
11	23	63	122	215	75	60	90	M5	3	4	8,5	Max12