

THREE-PHASE-ASYNCHRONOUS-MOTOR ACA 132 S 4/6

AC13S4600000

General data

Type of motor	3~ multi speed
Type designation	ACA
Frame size	132
Mounting	B3
Frame execution	S
Frame material	Aluminium
Insulationclass	F/B
Terminal box location	top DE
Terminal box orientation	cable gland to the right side
Weight (kg)	42
Rotation Direction	right /left
Vibration level	A
Balancing method	half key
cooling type	IC411
Executed acc. to	IEC 60034-1
noise level	IEC 60034-9

General data double-speed motors

Power 2 50Hz (kW)	1.5
-------------------	-----

Influential factors

Duty	S1
Ambient temperature (°C)	-20 up to +40
Height of location (m)	1000

Electrical specification

Power 1 50Hz (kW)	4.7
Frequency (Hz)	50
Voltage 50Hz (V)	380-420
Voltage tolerance	+/-10%
Connection	Y/Y
Poles	4/6
Efficiency 100% 50Hz (%)	84/81
Power factor	0,83/0,66
Starting current factor (Ia/In)	7,0/6,0
Starting torque factor (Ma/Mn)	1,8/1,6
Breakdown torque (Mk/Mn)	1,8
Rated current 50Hz (A)	9,60/4,15

Mechanical data

Torque (Nm)	31,17/15,24
Rotation speed (1/min)	1440/940
Bearing DE	6308.ZZ.C3
Bearing NDE	6308.ZZ.C3

Mechanical data

Mounting of bearing DE	loose bearing
Mounting of bearing NDE	loose bearing
Bearing lifetime (h)	20000
allow. Radial load (X/2)	1650
allow. Radial load (X0)	1850
allow. Radial load (Xmax)	1450
allow. Axial load	1450
allow. Axial load (V1)	1400

Motor properties

Color	RAL7030
Paint surface	shiny
Protection class	IP55
Cable gland size (cable connection)	1xM32x1,5 1xblind plug
Cable gland size (option)	M16x1,5
Cable gland type	Standard
Shaft end (mm)	38 x 80
Shaft material	C45
Specification NDE	Plastic fan

Additional option

Protection winding	2xPTC 150°C
--------------------	-------------

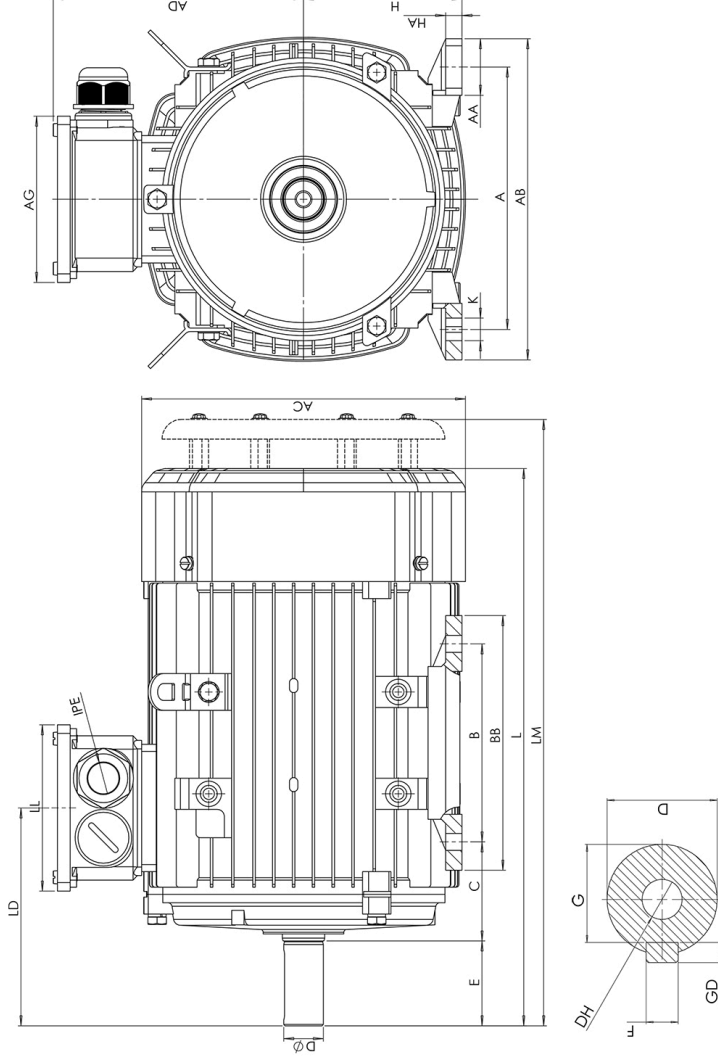
Dimension drawings

Three-Phase-Asynchronous- Motor ACA 132 S 4/6

AC13S4600000



Die Zeichnung dient lediglich als Skizze um Maße darzustellen. Das gelieferte Produkt kann von dieser Skizze abweichen. Die detaillierte Beschreibung des Produkts befindet sich im Datenabschnitt (Seite 1).
 The drawing serves only as a sketch to show dimensions. The delivered product may differ from this sketch. The detailed description of the product can be found in the Data section (page 1).



A	AA	AB	AC	AD	AG	B	BB	C	D	E	H	HA	K	L	LM	LL	F	G	DH	EB	ED	GD
216	51	262	258	188	117,5	140	186	89	38	80	132	15	12x16	465	505	117,5	10	33	M12x28	65	7,5	8