

THREE-PHASE-ASYNCHRONOUS-MOTOR FCPA 63 B 4 /HE

IE2AC06B4010

General data

| | |
|--------------------------|------------------------------|
| Type of motor | 3~ |
| Type designation | FCPA |
| Frame size | 63 |
| Mounting | B34a |
| Frame material | Aluminium |
| Insulationclass | F/B |
| Terminal box location | top DE |
| Terminal box orientation | cabl gland to the right side |
| Weight (kg) | 4.9 |
| Rotation Direction | right /left |
| Vibration level | A |
| Balancing method | half key |
| cooling type | IC411 |
| Executed acc. to | IEC 60034-1 |
| noise level | IEC 60034-9 |

Influential factors

| | |
|--------------------------|---------------|
| Duty | S1 |
| Ambient temperature (°C) | -20 up to +40 |
| Height of location (m) | 1000 |

Electrical specification

| | |
|---|-------------|
| Power 1 50Hz (kW) | 0.18 |
| Power 1 60Hz (kW) | 0.18 |
| Frequency (Hz) | 50/60 |
| Voltage 50Hz (V) | 230/400 |
| Voltage 60Hz (V) | 265/460 |
| Voltage/Frequency tolerance (not valid for range voltage) | +/-10% |
| Connection | Δ /Y |
| Poles | 4 |
| Efficiency 100% 50Hz (%) | 64,7 |
| Efficiency 75% 50Hz (%) | 64,7 |
| Efficiency 50% 50Hz (%) | 63,4 |
| Efficiency 100% 60Hz (%) | 68 |
| Power factor | 0,73 |
| Starting current factor | 4,4 |
| Starting torque factor | 2,1 |
| Tilting moment factor | 2,2 |
| Rated current 50Hz (A) | 0,96/0,55 |
| Rated current 60Hz (A) | 0,79/0,46 |
| Eff.Cl.50Hz | IE2 |
| Eff.Cl.60Hz | IE2 |

Mechanical data

| | |
|-------------------------------------|---------------|
| Torque (Nm) | 1,31/1,09 |
| Rotation speed (1/min) | 1315/1578 |
| Bearing DE | 6201.ZZ.C3 |
| Bearing NDE | 6201.ZZ.C3 |
| Mounting of bearing DE | loose bearing |
| Mounting of bearing NDE | loose bearing |
| Bearing lifetime | 20000 |
| allow. Radial load (X/2) | 375 |
| allow. Radial load (X0) | 400 |
| allow. Radial load (Xmax) | 350 |
| allow. Axial load B3,B5,B35,B14,B34 | 350 |
| allow. Axial load V1,V3,V19,V18 | 335 |

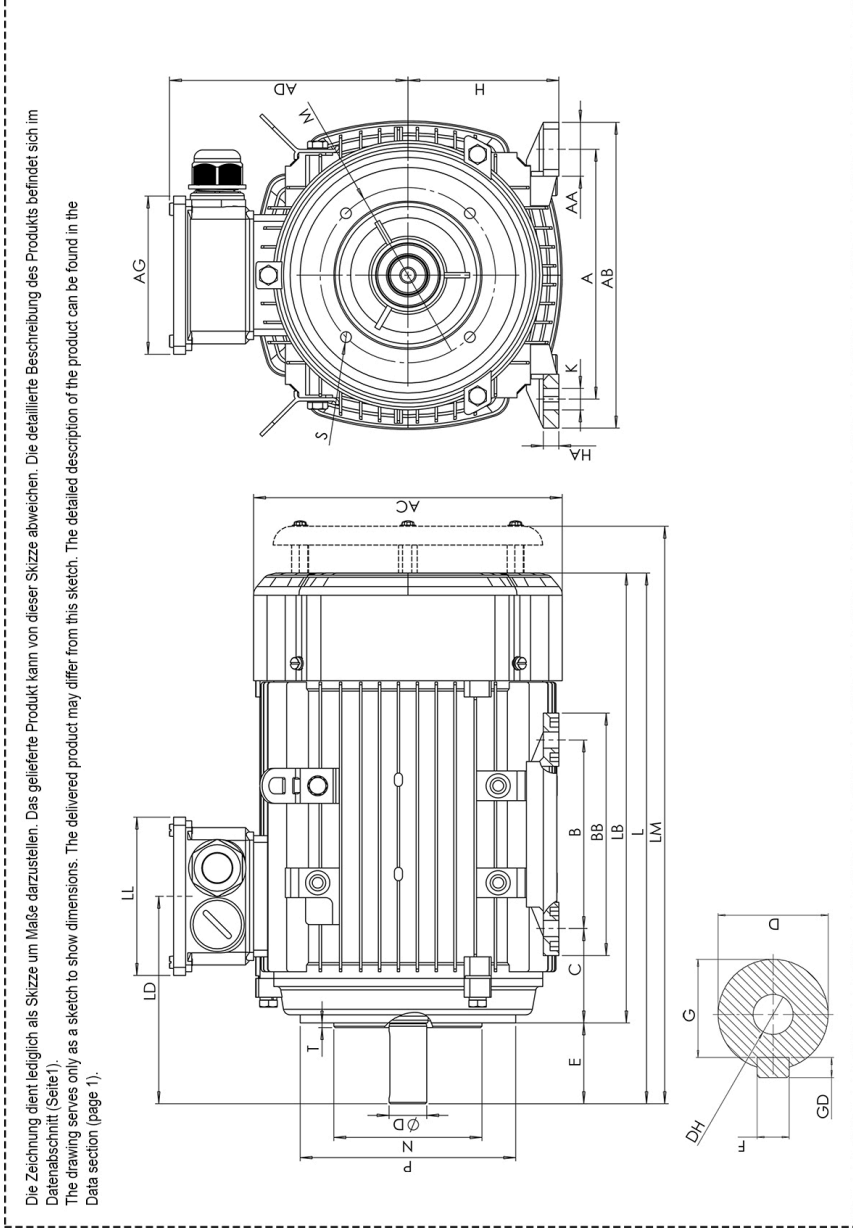
Motor properties

| | |
|-------------------------------------|------------------------|
| Color | RAL7030 |
| Paint surface | shiny |
| Protection class | IP55 |
| Cable gland size (cable connection) | 1xM20x1,5 1xblind plug |
| Cable gland type | Standard |
| Shaft end | 11 x 23 |
| Shaft material | C45 |
| Specification NDE | Plastic fan |
| Flange | 90 |

Dimension drawings

Three-Phase-Asynchronous- Motor FCPA 63 B 4 /HE

IE2AC06B4010



| | | | | | | | | | | | | | | | | | | | | | | | | | | | | | | | | | | | | | | | | | | | | | | | | | |
|----------|-----|-----------|-------|-----------|-----|-----------|-----|-----------|-----|-----------|-----|----------|----|-----------|-----|----------|----|----------|----|----------|----|----------|----|-----------|---|----------|-------|----------|-----|-----------|-----|-----------|----|-----------|-----|-----------|-----|----------|----|----------|----|----------|----|----------|------|----------|---|----------|---|
| A | 100 | AA | 24 | AB | 123 | AC | 120 | AD | 102 | AG | 101 | B | 80 | BB | 100 | C | 40 | D | 11 | E | 23 | H | 63 | HA | 7 | K | 7x9,5 | L | 217 | LM | 247 | LA | 10 | LB | 194 | LL | 101 | M | 75 | N | 60 | P | 90 | S | 4xM5 | T | 3 | F | 4 |
| G | 8,5 | DH | M4x12 | EB | 16 | ED | 3,5 | GD | 4 | | | | | | | | | | | | | | | | | | | | | | | | | | | | | | | | | | | | | | | | |