

SINGLE-PHASE MOTOR FBS 80 B 2 /HT

AB08B4100016

General data

Type of motor	1~
Type designation	FBS
Frame size	80
Mounting	B5
Frame material	Aluminium
Insulationclass	F/B
Terminal box location	top DE
Terminal box orientation	cable gland to the back side NDE
Weight (kg)	9.5
Rotation Direction	Clockwise
Vibration level	A
Balancing method	half key
cooling type	IC411
Executed acc. to	IEC 60034-1
noise level	IEC 60034-9

Mechanical data

allow. Axial load	475
allow. Axial load (V1)	445
Moment of inertia (kgm ²)	0,00457

Motor properties

Color	RAL7030
Paint surface	shiny
Protection class	IP55
Cable gland size (cable connection)	
Cable gland type	Standard
Shaft end (mm)	19 x 40
Shaft material	C45
Specification NDE	Plastic fan
Flange	200

Influential factors

Duty	S1
Ambient temperature (°C)	-20 up to +40
Height of location (m)	1000

Motor properties Single-phase

Capacitor	AK+BK
S.C. Capacity	150 myF/300 V
O.C. Capacity	30 myF/450 V
run-up switching	centrifugal switch

Electrical specification

Power 1 50Hz (kW)	1.1
Frequency (Hz)	50
Voltage 50Hz (V)	230
Voltage tolerance	+/-10%
Poles	2
Efficiency 100% 50Hz (%)	75,0
Power factor	0,95
Starting current factor (Ia/In)	5,7
Starting torque factor (Ma/Mn)	2,5
Breakdown torque (Mk/Mn)	2,5
Rated current 50Hz (A)	6,71

Mechanical data

Torque (Nm)	3,75
Rotation speed (1/min)	2800
Bearing DE	6204.ZZ.C3
Bearing NDE	6203.ZZ.C3
Mounting of bearing DE	loose bearing
Mounting of bearing NDE	loose bearing
Bearing lifetime (h)	20000
allow. Radial load (X/2)	562
allow. Radial load (X0)	625
allow. Radial load (Xmax)	500

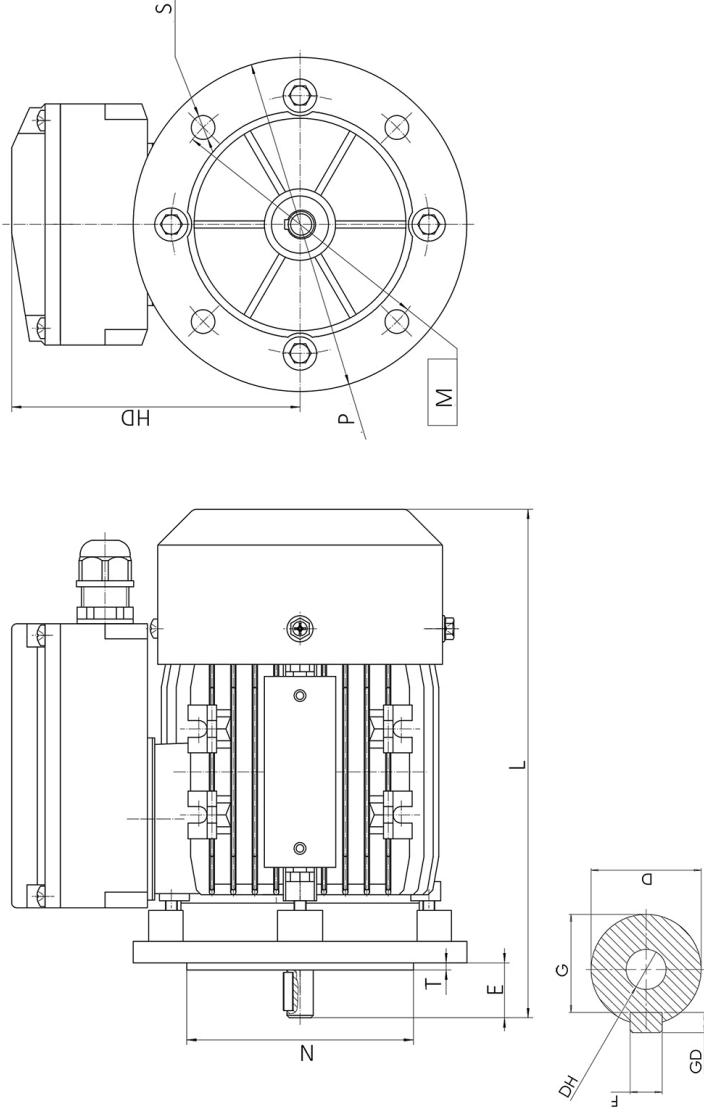
Dimension drawings

Single-phase motor FBS 80 B 2 /HT

AB08B4100016



Die Zeichnung dient lediglich als Skizze um Maße darzustellen. Das gelieferte Produkt kann von dieser Skizze abweichen. Die detaillierte Beschreibung des Produkts befindet sich im Datenabschnitt (Seite 1).
 The drawing serves only as a sketch to show dimensions. The delivered product may differ from this sketch. The detailed description of the product can be found in the Data section (page 1).



D	E	H	HD	L	M	N	P	S	T	F	G	DH
19	40	80	144	295	165	130	200	12	3.5	6	15.5	M6x16