

THREE-PHASE-ASYNCHRONOUS-MOTOR FOPA 100 LB 4 /PHE

IE3OG10LB452

General data

Type of motor	3~
Type designation	FOPA
Frame size	100
Mounting	B34a
Frame execution	L
Frame material	Aluminium
Insulationclass	F/B
Terminal box location	top DE
Terminal box orientation	cable gland to the right side
Weight (kg)	25
Rotation Direction	right /left
Vibration level	A
Balancing method	half key
cooling type	IC411
Executed acc. to noise level	IEC 60034-1 IEC 60034-9

Influential factors

Duty	S1
Ambient temperature (°C)	-20 up to +40
Height of location (m)	1000

Electrical specification

Power 1 50Hz (kW)	3
Power 1 60Hz (kW)	3
Frequency (Hz)	50/60
Voltage 50Hz (V)	230/400
Voltage 60Hz (V)	-/460
Voltage/Frequency tolerance (not valid for range voltage)	+/-10%
Connection	Δ/Y
Poles	4
Efficiency 100% 50Hz (%)	87,7
Efficiency 75% 50Hz (%)	88,2
Efficiency 50% 50Hz (%)	87,2
Efficiency 100% 60Hz (%)	89,5
Efficiency 75% 60Hz (%)	90
Efficiency 50% 60Hz (%)	89
Power factor	0,76
Starting current factor	7,3
Starting torque factor	3,3
Tilting moment factor	3,7
Rated current 50Hz (A)	11,30/6,50
Rated current 60Hz (A)	0,00/5,54
Eff.Cl.50Hz	IE3

Electrical specification

Eff.Cl.60Hz	IE3
-------------	-----

Mechanical data

Torque (Nm)	19,80/16,52
Rotation speed (1/min)	1445/1735
Bearing DE	6206.ZZ.CM
Bearing NDE	6206.ZZ.CM
Mounting of bearing DE	loose bearing
Mounting of bearing NDE	loose bearing
Bearing lifetime	20000
allow. Radial load (X0)	1375
allow. Radial load (Xmax)	1101
Moment of inertia	0,0062

Motor properties

Color	RAL7030
Paint surface	shiny
Protection class	IP55
Cable gland size (cable connection)	1xM25x1,5 1xblind plug
Cable gland size (option)	M20x1,5
Cable gland type	Standard
Shaft end	28 x 60
Shaft material	C40
Specification NDE	Plastic fan
Flange	160

Additional option

Protection winding	PTC 150°C
Condensate draining hole	✓
Condensate draining hole sealing screw	✓

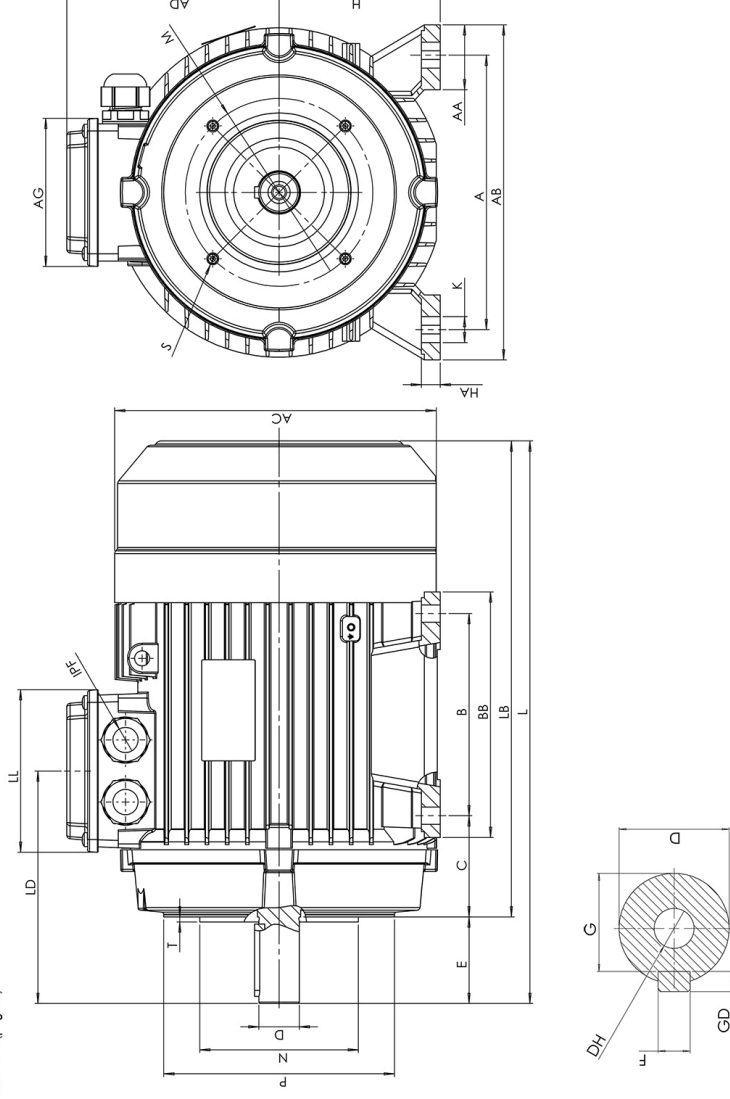
Dimension drawings

Three-Phase-Asynchronous- Motor FOPA 100 LB 4 /PHE

IE30G10LB452



Die Zeichnung dient lediglich als Skizze um Maße darzustellen. Das gelieferte Produkt kann von dieser Skizze abweichen. Die detaillierte Beschreibung des Produkts befindet sich im Datenabschnitt (Seite 1).
The drawing serves only as a sketch to show dimensions. The delivered product may differ from this sketch. The detailed description of the product can be found in the Data section (page 1).



A	AA	AB	AC	AD	AG	B	BB	C	D	E	H	HA	K	L	LB	LD	LL	M	N	P	S	T	F	G
160	45	208	202	136	103	140	174	63	28	60	100	13	18	375	315	156	113	130	110	160	4x8	3,5	8	24

DH	GD
M10	7