

## THREE-PHASE-ASYNCHRONOUS-MOTOR FOA 100 LA 2 /PHE

IE3OG10LA252

### General data

Type of motor	3~
Type designation	FOA
Frame size	100
Mounting	B5
Frame execution	L
Frame material	Aluminium
Insulationclass	F/B
Terminal box location	top DE
Terminal box orientation	cable gland to the right side
Weight (kg)	22
Rotation Direction	right /left
Vibration level	A
Balancing method	half key
cooling type	IC411
Executed acc. to	IEC 60034-1
noise level	IEC 60034-9

### Influential factors

Duty	S1
Ambient temperature (°C)	-20 up to +40
Height of location (m)	1000

### Electrical specification

Power 1 50Hz (kW)	3
Power 1 60Hz (kW)	3
Frequency (Hz)	50/60
Voltage 50Hz (V)	400/690
Voltage 60Hz (V)	460/-
Voltage tolerance	+/-10%
Connection	Δ/Y
Poles	2
Efficiency 100% 50Hz (%)	87,1
Efficiency 75% 50Hz (%)	88
Efficiency 50% 50Hz (%)	86,8
Efficiency 100% 60Hz (%)	88,5
Efficiency 75% 60Hz (%)	89,2
Efficiency 50% 60Hz (%)	88,2
Power factor	0,86
Starting current factor (Ia/In)	8
Starting torque factor (Ma/Mn)	3
Breakdown torque (Mk/Mn)	3,8
Rated current 50Hz (A)	5,78/3,32
Rated current 60Hz (A)	6,03/0,00
Eff.Cl.50Hz	IE3
Eff.Cl.60Hz	IE3

### Mechanical data

Torque (Nm)	9,87/8,23
Rotation speed (1/min)	2900/3480
Bearing DE	6206.ZZ.CM
Bearing NDE	6206.ZZ.CM
Mounting of bearing DE	loose bearing
Mounting of bearing NDE	loose bearing
Bearing lifetime (h)	20000
allow. Radial load (X0)	1094
allow. Radial load (Xmax)	887
Moment of inertia (kgm <sup>2</sup> )	0,0041

### Motor properties

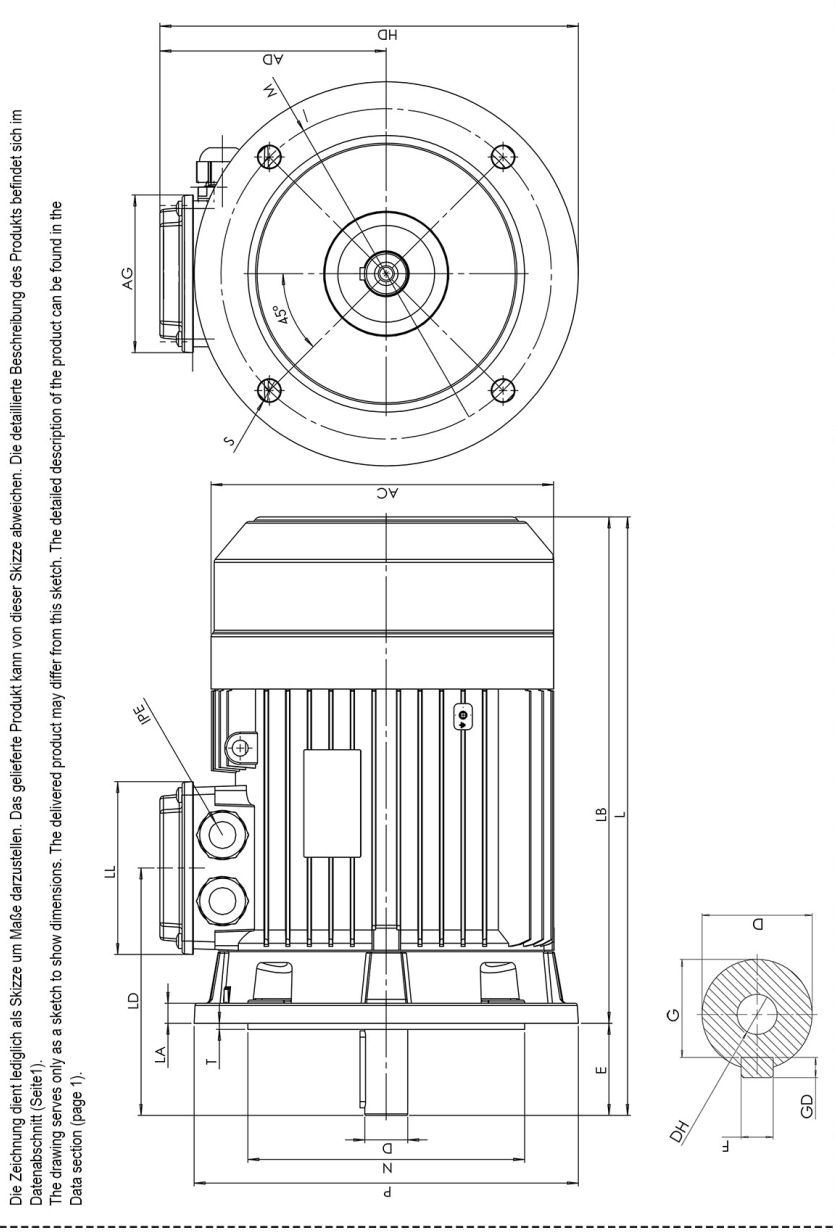
Color	RAL7030
Paint surface	shiny
Protection class	IP55
Cable gland size (cable connection)	1xM25x1,5 1xblind plug
Cable gland size (option)	M20x1,5
Cable gland type	Standard
Shaft end (mm)	28 x 60
Shaft material	C40
Specification NDE	Plastic fan
Flange	250

### Additional option

Protection winding	PTC 150°C
Condensate draining hole	✓
Condensate draining hole sealing screw	✓

# Dimension drawings

## Three-Phase-Asynchronous- Motor FOA 100 LA 2 /PHE IE3OG10LA252



AC	AD	AG	D	E	HD	L	LB	LD	LL	M	N	P	S	T	F	G	DH	GD
202	136	103	28	60	261	375	315	156	113	215	180	250	4x14,5	4	8	24	M10	7