

## SINGLE-PHASE MOTOR ABS 80 B 2

AB08B4100014

### General data

|                          |                                  |
|--------------------------|----------------------------------|
| Type of motor            | 1~                               |
| Type designation         | ABS                              |
| Frame size               | 80                               |
| Mounting                 | B3                               |
| Frame material           | Aluminium                        |
| Insulationclass          | F/B                              |
| Terminal box location    | top DE                           |
| Terminal box orientation | cable gland to the back side NDE |
| Weight (kg)              | 9                                |
| Rotation Direction       | Clockwise                        |
| Vibration level          | A                                |
| Balancing method         | half key                         |
| cooling type             | IC411                            |
| Executed acc. to         | IEC 60034-1                      |
| noise level              | IEC 60034-9                      |

### Influential factors

|                          |               |
|--------------------------|---------------|
| Duty                     | S1            |
| Ambient temperature (°C) | -20 up to +40 |
| Height of location (m)   | 1000          |

### Electrical specification

|   |        |
|---|--------|
| Power 1 50Hz (kW)   | 1.1    |
| Frequency (Hz)  | 50     |
| Voltage 50Hz (V)  | 230    |
| Voltage/Frequency tolerance (not valid for range voltage) | +/-10% |
| Poles   | 2      |
| Efficiency 100% 50Hz (%)                                  | 75,0   |
| Power factor  | 0,95   |
| Starting current factor                                   | 4,3    |
| Starting torque factor                                    | 0,33   |
| Tilting moment factor                                     | 0,33   |
| Rated current 50Hz (A)                                    | 6,71   |

### Mechanical data

|                          |               |
|--------------------------|---------------|
| Torque (Nm)              | 3,75          |
| Rotation speed (1/min)   | 2800          |
| Bearing DE               | 6204.ZZ.C3    |
| Bearing NDE              | 6204.ZZ.C3    |
| Mounting of bearing DE   | loose bearing |
| Mounting of bearing NDE  | loose bearing |
| Bearing lifetime         | 20000         |
| allow. Radial load (X/2) | 562           |
| allow. Radial load (X0)  | 625           |

### Mechanical data

|                                     |         |
|-------------------------------------|---------|
| allow. Radial load (Xmax)           | 500     |
| allow. Axial load B3,B5,B35,B14,B34 | 475     |
| allow. Axial load V1,V3,V19,V18     | 445     |
| Moment of inertia                   | 0,00457 |

### Motor properties

|                                     |             |
|-------------------------------------|-------------|
| Color                               | RAL7030     |
| Paint surface                       | shiny       |
| Protection class                    | IP55        |
| Cable gland size (cable connection) |             |
| Cable gland type                    | Standard    |
| Shaft end                           | 19 x 40     |
| Shaft material                      | C45         |
| Specification NDE                   | Plastic fan |

### Motor properties Single-phase

|               |              |
|---------------|--------------|
| Capacitor     | BK           |
| O.C. Capacity | 30 myF/450 V |

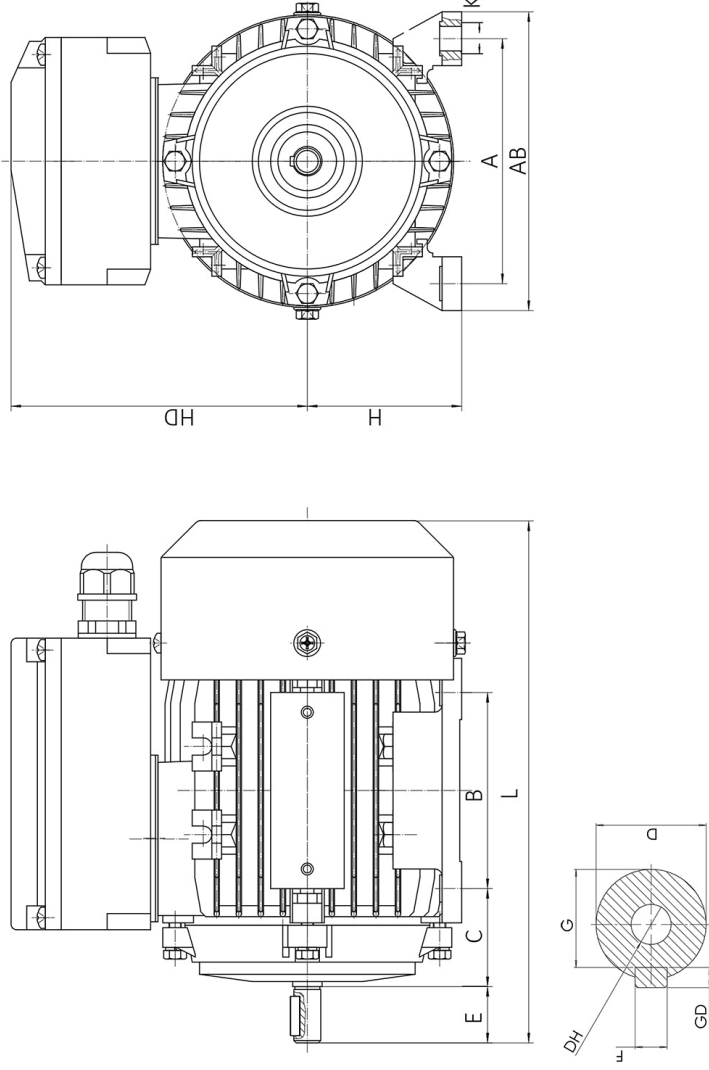
# Dimension drawings

## Single-phase motor ABS 80 B 2

### AB08B4100014



Die Zeichnung dient lediglich als Skizze um Maße darzustellen. Das gelieferte Produkt kann von dieser Skizze abweichen. Die detaillierte Beschreibung des Produkts befindet sich im Datenabschnitt (Seite 1).  
 The drawing serves only as a sketch to show dimensions. The delivered product may differ from this sketch. The detailed description of the product can be found in the Data section (page 1).



| A   | AB  | AD  | AG  | B   | C  | D  | E  | H  | HD  | K  | L   | LL  | F | G    | DH    |
|-----|-----|-----|-----|-----|----|----|----|----|-----|----|-----|-----|---|------|-------|
| 125 | 160 | 144 | 117 | 100 | 50 | 19 | 40 | 80 | 144 | 10 | 285 | 148 | 6 | 15,5 | M6x16 |