

SINGLE-PHASE MOTOR ABS 71 B 4

AB07B6200042

General data

Type of motor	1~
Type designation	ABS
Frame size	71
Mounting	B3
Frame material	Aluminium
Insulationclass	F/B
Terminal box location	top DE
Terminal box orientation	cable gland to the back side NDE
Weight (kg)	7
Rotation Direction	Clockwise
Vibration level	A
Balancing method	half key
cooling type	IC411
Executed acc. to	IEC 60034-1
noise level	IEC 60034-9

Influential factors

Duty	S1
Ambient temperature (°C)	-20 up to +40
Height of location (m)	1000

Electrical specification

Power 1 50Hz (kW)	0,37
Frequency (Hz)	50
Voltage 50Hz (V)	230
Voltage tolerance	+/-10%
Poles	4
Efficiency 100% 50Hz (%)	62,0
Power factor	0,92
Starting current factor (Ia/In)	3,4
Starting torque factor (Ma/Mn)	0,35
Breakdown torque (Mk/Mn)	0,35
Rated current 50Hz (A)	2,82

Mechanical data

Torque (Nm)	2,52
Rotation speed (1/min)	1400
Bearing DE	6202.ZZ.C3
Bearing NDE	6202.ZZ.C3
Mounting of bearing DE	loose bearing
Mounting of bearing NDE	loose bearing
Bearing lifetime (h)	20000
allow. Radial load (X/2)	412
allow. Radial load (X0)	450
allow. Radial load (Xmax)	375

Mechanical data

allow. Axial load	400
allow. Axial load (V1)	380
Moment of inertia (kgm ²)	0,00357

Motor properties

Color	RAL7030
Paint surface	shiny
Protection class	IP55
Cable gland size (cable connection)	1xM16
Cable gland type	Standard
Shaft end (mm)	14 x 30
Shaft material	C45
Specification NDE	Plastic fan

Motor properties Single-phase

Capacitor	BK
O.C. Capacity	14 myF/450 V

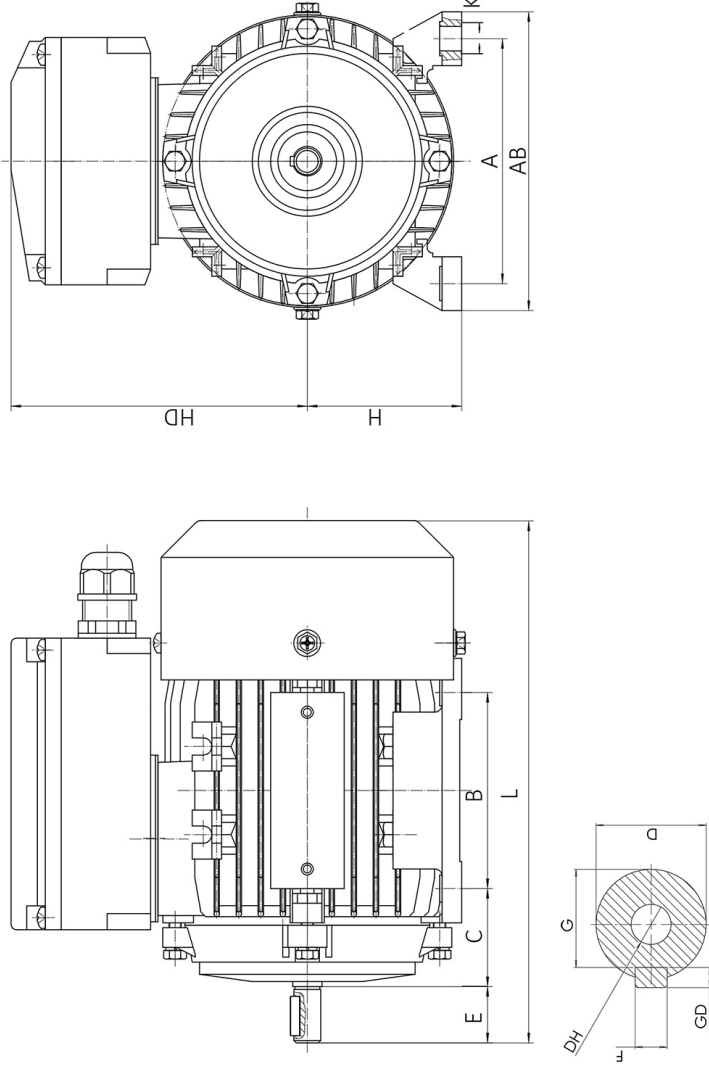
Dimension drawings

Single-phase motor ABS 71 B 4

AB07B6200042



Die Zeichnung dient lediglich als Skizze um Maße darzustellen. Das gelieferte Produkt kann von dieser Skizze abweichen. Die detaillierte Beschreibung des Produkts befindet sich im Datenabschnitt (Seite 1).
 The drawing serves only as a sketch to show dimensions. The delivered product may differ from this sketch. The detailed description of the product can be found in the Data section (page 1).



A	AB	B	C	D	E	F	G	H	HD	K	L	F	G	DH
112	138	90	45	14	30	71	132	7	245	5	11	M5x12		