

## SINGLE-PHASE MOTOR FBSP 80 A 4 /HT

AB08A2200001

### General data

Type of motor	1~
Type designation	FBSP
Frame size	80
Mounting	B34a
Frame material	Aluminium
Insulationclass	F/B
Terminal box location	top DE
Terminal box orientation	cable gland to the back side NDE
Weight (kg)	8,9
Rotation Direction	Clockwise
Vibration level	A
Balancing method	half key
cooling type	IC411
Executed acc. to	IEC 60034-1
noise level	IEC 60034-9

### Influential factors

Duty	S1
Ambient temperature (°C)	-20 up to +40
Height of location (m)	1000

### Electrical specification

Power 1 50Hz (kW)	0,55
Frequency (Hz)	50
Voltage 50Hz (V)	230
Voltage/Frequency tolerance (not valid for range voltage)	+/-10%
Poles	4
Efficiency 100% 50Hz (%)	68,0
Power factor	0,92
Starting current factor	5,3
Starting torque factor	2,5
Tilting moment factor	2,5
Rated current 50Hz (A)	3,82

### Mechanical data

Torque (Nm)	3,75
Rotation speed (1/min)	1400
Bearing DE	6204.ZZ.C3
Bearing NDE	6203.ZZ.C3
Mounting of bearing DE	loose bearing
Mounting of bearing NDE	loose bearing
Bearing lifetime	20000
allow. Radial load (X/2)	700
allow. Radial load (X0)	775

### Mechanical data

allow. Radial load (Xmax)	625
allow. Axial load B3,B5,B35,B14,B34	625
allow. Axial load V1,V3,V19,V18	595
Moment of inertia	0,00595

### Motor properties

Color	RAL7030
Paint surface	shiny
Protection class	IP55
Cable gland size (cable connection)	
Cable gland type	Standard
Shaft end	19 x 40
Shaft material	C45
Specification NDE	Plastic fan
Flange	120

### Motor properties Single-phase

Capacitor	AK+BK
S.C. Capacity	100 myF/300 V
O.C. Capacity	16 myF/450 V
run-up switching	centrifugal switch

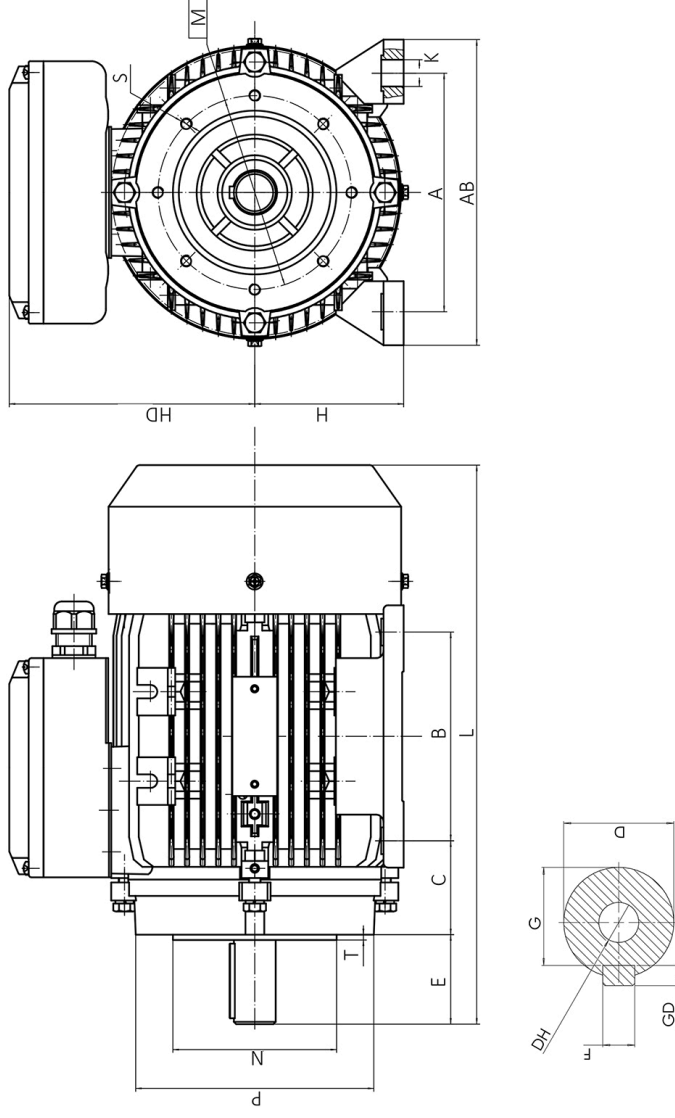
# Dimension drawings

## Single-phase motor FBSP 80 A 4 /HT

AB08A2200001



Die Zeichnung dient lediglich als Skizze um Maße darzustellen. Das gelieferte Produkt kann von dieser Skizze abweichen. Die detaillierte Beschreibung des Produkts befindet sich im Datenabschnitt (Seite 1).  
 The drawing serves only as a sketch to show dimensions. The delivered product may differ from this sketch. The detailed description of the product can be found in the Data section (page 1).



A	AB	B	C	D	E	H	HD	L	M	N	P	S	T	F	G	DH
125	160	100	50	19	40	80	144	295	100	80	120	M6	3,5	6	15,5	M6x16