

THREE-PHASE-ASYNCHRONOUS-MOTOR FCPA 71 B 4 /HE

IE2AC07B4016

General data

Type of motor	3~
Type designation	FCPA
Frame size	71
Mounting	B34a
Frame material	Aluminium
Insulationclass	F/B
Terminal box location	top DE
Terminal box orientation	cable gland to the back side NDE
Weight (kg)	5.5
Rotation Direction	right /left
Vibration level	A
Balancing method	half key
cooling type	IC411
Executed acc. to	IEC 60034-1
noise level	IEC 60034-9

Influential factors

Duty	S1
Ambient temperature (°C)	-20 up to +40
Height of location (m)	1000

Electrical specification

Power 1 50Hz (kW)	0.37
Power 1 60Hz (kW)	0.37
Frequency (Hz)	50/60
Voltage 50Hz (V)	230/400
Voltage 60Hz (V)	265/460
Voltage tolerance	+/-10%
Connection	Δ/Y
Poles	4
Efficiency 100% 50Hz (%)	72,7
Efficiency 75% 50Hz (%)	72,7
Efficiency 50% 50Hz (%)	71,2
Efficiency 100% 60Hz (%)	72
Power factor	0,75
Starting current factor (Ia/In)	5,2
Starting torque factor (Ma/Mn)	2,1
Breakdown torque (Mk/Mn)	2,2
Rated current 50Hz (A)	1,70/0,98
Rated current 60Hz (A)	1,50/0,87
Eff.Cl.50Hz	IE2
Eff.Cl.60Hz	IE2

Mechanical data

Torque (Nm)	2,65/2,21
-------------	-----------

Mechanical data

Rotation speed (1/min)	1335/1602
Bearing DE	6202.ZZ.C3
Bearing NDE	6202.ZZ.C3
Mounting of bearing DE	loose bearing
Mounting of bearing NDE	loose bearing
Bearing lifetime (h)	20000
allow. Radial load (X/2)	412,5
allow. Radial load (X0)	450
allow. Radial load (Xmax)	375
allow. Axial load	400
allow. Axial load (V1)	380

Motor properties

Color	RAL7030
Paint surface	shiny
Protection class	IP55
Cable gland size (cable connection)	1xM20x1,5 1xblind plug
Cable gland size (option)	M20x1,5
Cable gland type	Standard
Shaft end (mm)	14 x 30
Shaft material	C45
Specification NDE	Plastic fan
Flange	105

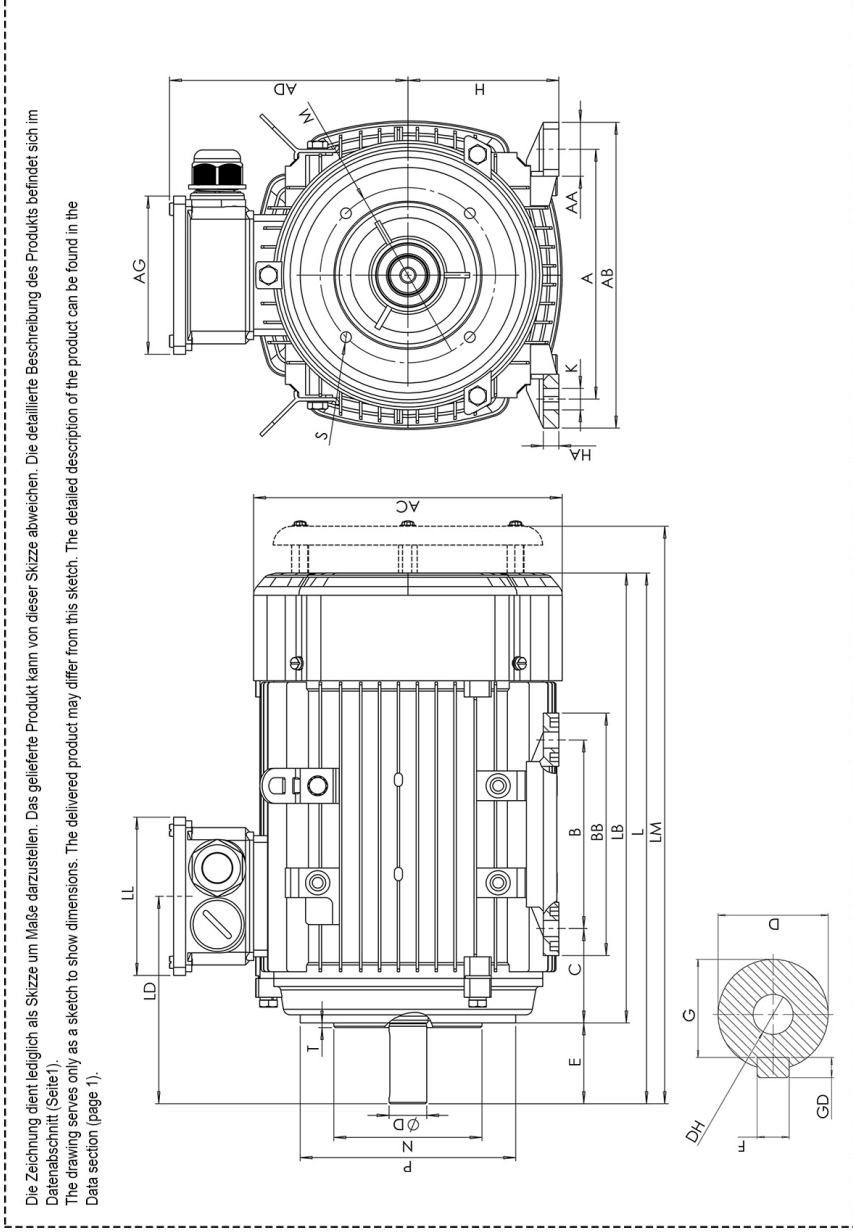
Additional option

Protection winding	PTC 150°C
--------------------	-----------

Dimension drawings

Three-Phase-Asynchronous- Motor FCPA 71 B 4 /HE

IE2AC07B4016



Die Zeichnung dient lediglich als Skizze um Maße darzustellen. Das gelieferte Produkt kann von dieser Skizze abweichen. Die detaillierte Beschreibung des Produkts befindet sich im Datenabschnitt (Seite 1).
 The drawing serves only as a sketch to show dimensions. The delivered product may differ from this sketch. The detailed description of the product can be found in the Data section (page 1).

A	112	AA	26	AB	138	AC	136	AD	109	AG	101	B	90	BB	110	C	45	D	14	E	30	H	71	HA	8	K	7x11	L	245	LM	275	LA	10	LB	215	LL	101	M	85	N	70	P	105	S	M6	T	3,5	F	5
G	11	DH	M5x12	EB	25	ED	2,5	GD	5																																								