

THREE-PHASE-ASYNCHRONOUS-MOTOR FCA 63 B 4 /HE

IE2AC06B4007

General data

Type of motor	3~
Type designation	FCA
Frame size	63
Mounting	B5
Frame material	Aluminium
Insulationclass	F/B
Terminal box location	top DE
Terminal box orientation	cable gland to the right side
Weight (kg)	4.9
Rotation Direction	right /left
Vibration level	A
Balancing method	half key
cooling type	IC411
Executed acc. to	IEC 60034-1
noise level	IEC 60034-9

Influential factors

Duty	S1
Ambient temperature (°C)	-20 up to +40
Height of location (m)	1000

Electrical specification

Power 1 50Hz (kW)	0.18
Power 1 60Hz (kW)	0.18
Frequency (Hz)	50/60
Voltage 50Hz (V)	230/400
Voltage 60Hz (V)	265/460
Voltage tolerance	+/-10%
Connection	Δ/Y
Poles	4
Efficiency 100% 50Hz (%)	64,7
Efficiency 75% 50Hz (%)	64,7
Efficiency 50% 50Hz (%)	63,4
Efficiency 100% 60Hz (%)	68
Power factor	0,73
Starting current factor (Ia/In)	4,4
Starting torque factor (Ma/Mn)	2,1
Breakdown torque (Mk/Mn)	2,2
Rated current 50Hz (A)	0,96/0,55
Rated current 60Hz (A)	0,79/0,46
Eff.Cl.50Hz	IE2
Eff.Cl.60Hz	IE2

Mechanical data

Torque (Nm)	1,31/1,09
-------------	-----------

Mechanical data

Rotation speed (1/min)	1315/1578
Bearing DE	6201.ZZ.C3
Bearing NDE	6201.ZZ.C3
Mounting of bearing DE	loose bearing
Mounting of bearing NDE	loose bearing
Bearing lifetime (h)	20000
allow. Radial load (X/2)	375
allow. Radial load (X0)	400
allow. Radial load (Xmax)	350
allow. Axial load	350
allow. Axial load (V1)	335

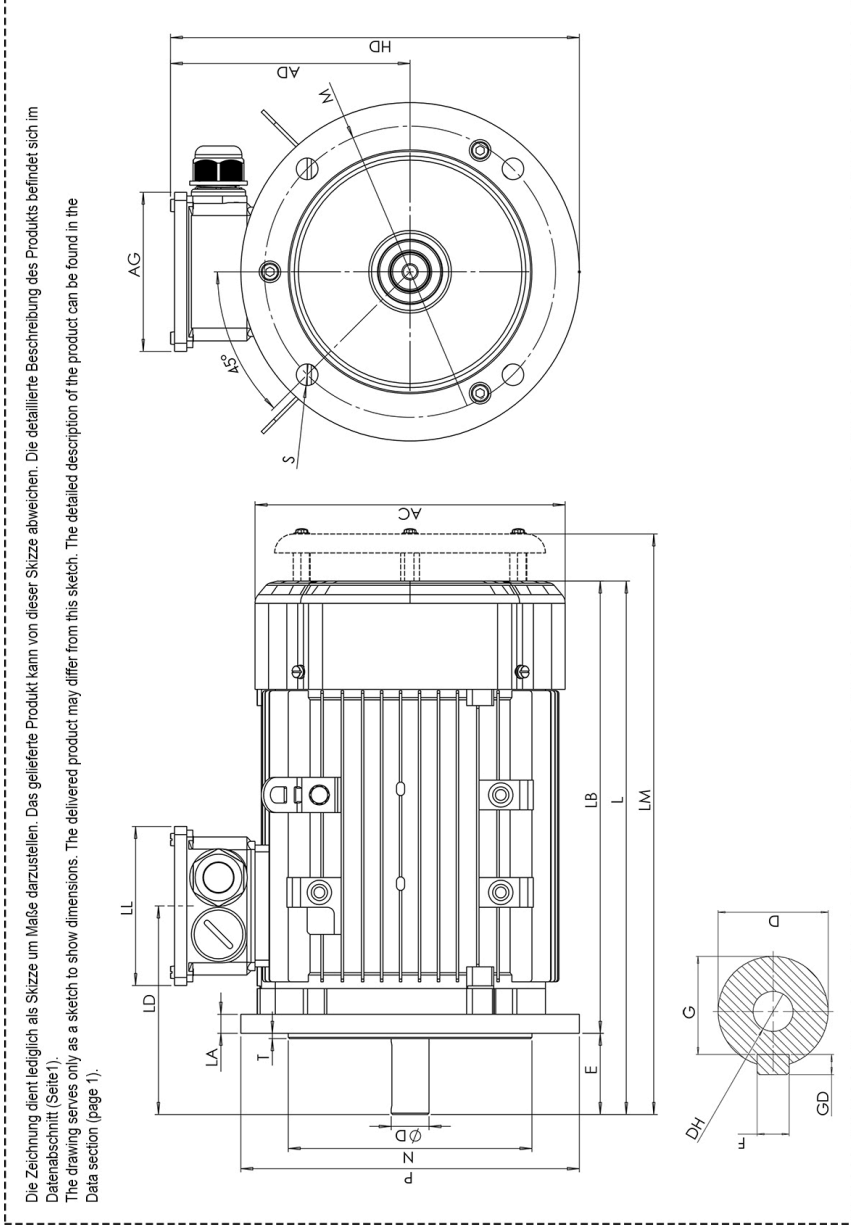
Motor properties

Color	RAL7030
Paint surface	shiny
Protection class	IP55
Cable gland size (cable connection)	1xM20x1,5 1xblind plug
Cable gland type	Standard
Shaft end (mm)	11 x 23
Shaft material	C45
Specification NDE	Plastic fan
Flange	140

Dimension drawings

Three-Phase-Asynchronous- Motor FCA 63 B 4 /HE

IE2AC06B4007



Die Zeichnung dient lediglich als Skizze um Maße darzustellen. Das gelieferte Produkt kann von dieser Skizze abweichen. Die detaillierte Beschreibung des Produkts befindet sich im Datenabschnitt (Seite 1).
The drawing serves only as a sketch to show dimensions. The delivered product may differ from this sketch. The detailed description of the product can be found in the Data section (page 1).

AC	AD	AG	D	E	HD	L	LM	LA	LB	LL	M	N	P	S	T	F	G	DH	EB	ED	GD
120	102	101	11	23	172	217	247	10	194	101	115	95	140	4x10	3	4	8,5	M4x12	16	3,5	4