

SINGLE-PHASE MOTOR ABS 80 A 6

AB08A2300002

General data

Type of motor	1~
Type designation	ABS
Frame size	80
Mounting	B3
Frame material	Aluminium
Insulationclass	F/B
Terminal box location	top DE
Terminal box orientation	cable gland to the back side NDE
Weight (kg)	10
Rotation Direction	Clockwise
Vibration level	A
Balancing method	half key
cooling type	IC411
Executed acc. to	IEC 60034-1
noise level	IEC 60034-9

Influential factors

Duty	S1
Ambient temperature (°C)	-20 up to +40
Height of location (m)	1000

Electrical specification

Power 1 50Hz (kW)	0.37
Frequency (Hz)	50
Voltage 50Hz (V)	230
Voltage/Frequency tolerance (not valid for range voltage)	+/-10%
Poles	6
Efficiency 100% 50Hz (%)	65,0
Power factor	0,88
Starting current factor	3,70
Starting torque factor	0,28
Tilting moment factor	1,42
Rated current 50Hz (A)	2,81

Mechanical data

Torque (Nm)	3,88
Rotation speed (1/min)	910
Bearing DE	6204.ZZ.C3
Bearing NDE	6204.ZZ.C3
Mounting of bearing DE	loose bearing
Mounting of bearing NDE	loose bearing
Bearing lifetime	20000
allow. Radial load (X/2)	812
allow. Radial load (X0)	900

Mechanical data

allow. Radial load (Xmax)	725
allow. Axial load B3,B5,B35,B14,B34	775
allow. Axial load V1,V3,V19,V18	745
Moment of inertia	0,0012

Motor properties

Color	RAL7030
Paint surface	shiny
Protection class	IP55
Cable gland size (cable connection)	
Cable gland type	Standard
Shaft end	19 x 40
Shaft material	C45
Specification NDE	Plastic fan

Motor properties Single-phase

Capacitor	BK
-----------	----

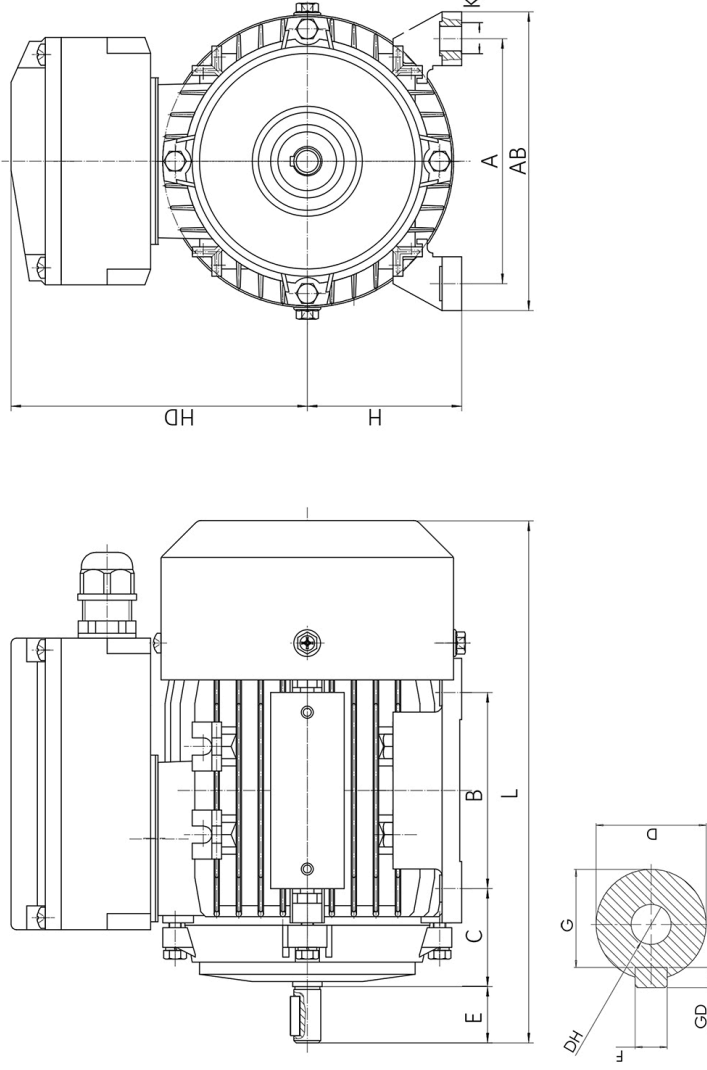
Dimension drawings

Single-phase motor ABS 80 A 6

AB08A2300002



Die Zeichnung dient lediglich als Skizze um Maße darzustellen. Das gelieferte Produkt kann von dieser Skizze abweichen. Die detaillierte Beschreibung des Produkts befindet sich im Datenabschnitt (Seite 1).
 The drawing serves only as a sketch to show dimensions. The delivered product may differ from this sketch. The detailed description of the product can be found in the Data section (page 1).



A	AB	AD	AG	B	C	D	E	H	HD	K	L	LL	F	G	DH
125	160	144	117	100	50	19	40	80	144	10	285	148	6	15,5	M6x16