

## THREE-PHASE-ASYNCHRONOUS-MOTOR ACA 100 LA 4 /SPE

IE4AC10LA400

### General data

Type of motor	3~
Type designation	ACA
Frame size	100
Mounting	B3
Frame execution	L
Frame material	Aluminium
Insulationclass	F/B
Terminal box location	top DE
Terminal box orientation	cable gland to the right side
Weight (kg)	25.5
Rotation Direction	right /left
Vibration level	A
Balancing method	half key
cooling type	IC411
Executed acc. to	IEC 60034-1
noise level	IEC 60034-9

### Influential factors

Duty	S1
Ambient temperature (°C)	-20 up to +40
Height of location (m)	1000

### Electrical specification

Power 1 50Hz (kW)	2.2
Power 1 60Hz (kW)	2.2
Frequency (Hz)	50/60
Voltage 50Hz (V)	230/400
Voltage 60Hz (V)	265/460
Voltage tolerance	+/-10%
Connection	Δ/Y
Poles	4
Efficiency 100% 50Hz (%)	89,5
Efficiency 75% 50Hz (%)	89,5
Efficiency 50% 50Hz (%)	87,7
Efficiency 100% 60Hz (%)	91,0
Efficiency 75% 60Hz (%)	91
Efficiency 50% 60Hz (%)	89,5
Power factor	0,81
Starting current factor (Ia/In)	7,6
Starting torque factor (Ma/Mn)	2,3
Breakdown torque (Mk/Mn)	2,3
Rated current 50Hz (A)	7,62/4,38
Rated current 60Hz (A)	6,52/3,78
Eff.Cl.50Hz	IE4
Eff.Cl.60Hz	IE4

### Mechanical data

Torque (Nm)	14,44/12,04
Rotation speed (1/min)	1455/1746
Bearing DE	6206.ZZ.C3
Bearing NDE	6206.ZZ.C3
Mounting of bearing DE	loose bearing
Mounting of bearing NDE	loose bearing
Bearing lifetime (h)	20000
allow. Radial load (X/2)	1125
allow. Radial load (X0)	1250
allow. Radial load (Xmax)	1000
allow. Axial load	950
allow. Axial load (V1)	905

### Motor properties

Color	RAL7030
Paint surface	shiny
Protection class	IP55
Cable gland size (cable connection)	1xM25x1,5 1xblind plug
Cable gland type	Standard
Shaft end (mm)	28 x 60
Shaft material	C45
Specification NDE	Plastic fan

### Additional operating points

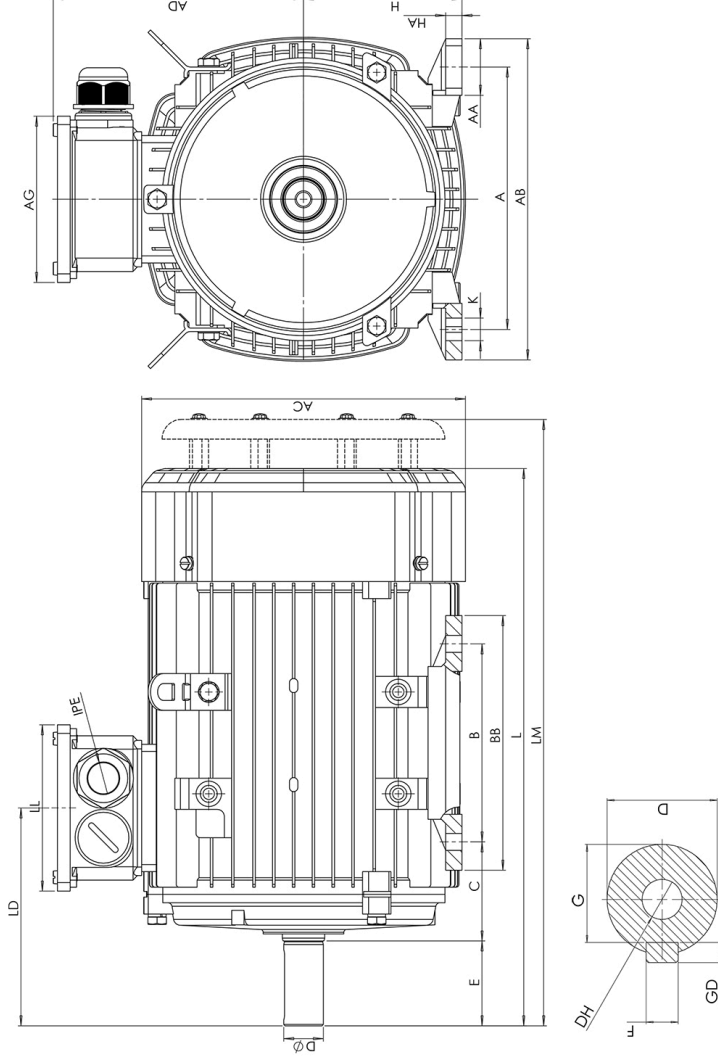
Voltage operating point 2	265/460
Power operating point 2 (kW)	2.64
Connection operating point 2	Δ/Y
Frequency operating point 2	60
Efficiency class operating point 2	IE3

# Dimension drawings

## Three-Phase-Asynchronous- Motor ACA 100 LA 4 /SPE IE4AC10LA400



Die Zeichnung dient lediglich als Skizze um Maße darzustellen. Das gelieferte Produkt kann von dieser Skizze abweichen. Die detaillierte Beschreibung des Produkts befindet sich im Datenabschnitt (Seite 1).  
The drawing serves only as a sketch to show dimensions. The delivered product may differ from this sketch. The detailed description of the product can be found in the Data section (page 1).



A	AA	AB	AC	AD	AG	B	BB	C	D	E	H	HA	K	L	LM	LL	F	G	DH	EB	ED	GD
160	40	196	198	156	109	140	172	63	28	60	100	11	12x16	393	423	109	8	24	M10x22	50	5	7