

## SINGLE-PHASE MOTOR FBSP 90 S 2 /HT

AB09S2100005

### General data

Type of motor	1~
Type designation	FBSP
Frame size	90
Mounting	B35
Frame execution	S
Frame material	Aluminium
Insulationclass	F/B
Terminal box location	top DE
Terminal box orientation	cable gland to the back side NDE
Weight (kg)	12.5
Rotation Direction	Clockwise
Vibration level	A
Balancing method	half key
cooling type	IC411
Executed acc. to	IEC 60034-1
noise level	IEC 60034-9

### Influential factors

Duty	S1
Ambient temperature (°C)	-20 up to +40
Height of location (m)	1000

### Electrical specification

Power 1 50Hz (kW)	1.5
Frequency (Hz)	50
Voltage 50Hz (V)	230
Voltage/Frequency tolerance (not valid for range voltage)	+/-10%
Poles	2
Efficiency 100% 50Hz (%)	76,0
Power factor	0,98
Starting current factor	5,8
Starting torque factor	2,5
Tilting moment factor	2,5
Rated current 50Hz (A)	8,75

### Mechanical data

Torque (Nm)	5,12
Rotation speed (1/min)	2800
Bearing DE	6205.ZZ.C3
Bearing NDE	6203.ZZ.C3
Mounting of bearing DE	loose bearing
Mounting of bearing NDE	loose bearing
Bearing lifetime	20000
allow. Radial load (X/2)	600

### Mechanical data

allow. Radial load (X0)	675
allow. Radial load (Xmax)	525
allow. Axial load B3,B5,B35,B14,B34	500
allow. Axial load V1,V3,V19,V18	460
Moment of inertia	0,00723

### Motor properties

Color	RAL7030
Paint surface	shiny
Protection class	IP55
Cable gland size (cable connection)	
Cable gland type	Standard
Shaft end	24 x 50
Shaft material	C45
Specification NDE	Plastic fan
Flange	200

### Motor properties Single-phase

Capacitor	AK+BK
S.C. Capacity	200 myF/300 V
O.C. Capacity	40 myF/450 V
run-up switching	centrifugal switch

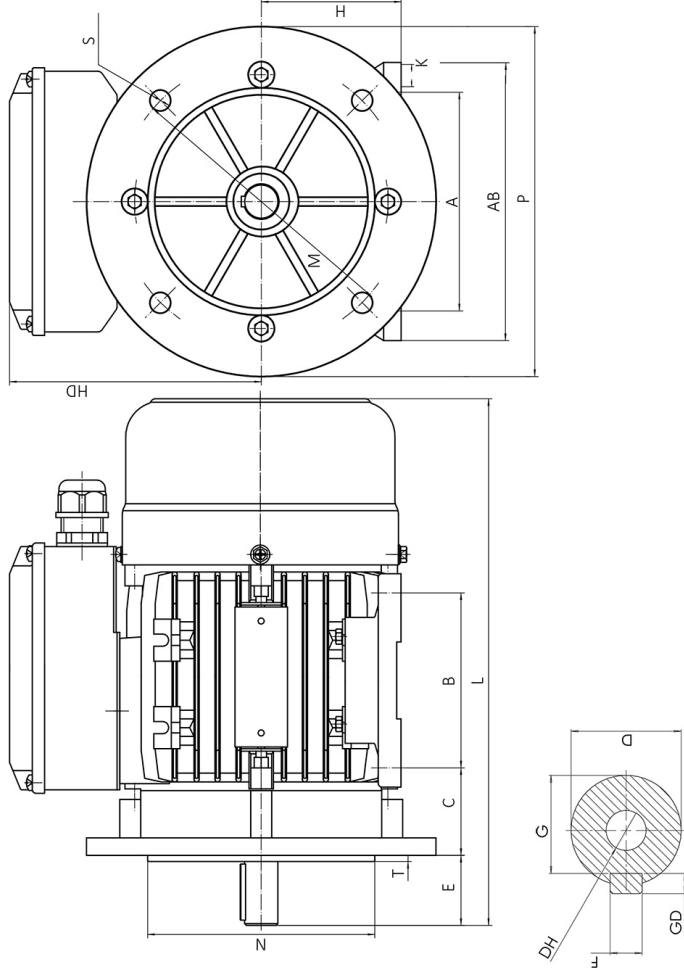
# Dimension drawings

## Single-phase motor FBSP 90 S 2 /HT

AB09S2100005



Die Zeichnung dient lediglich als Skizze um Maße darzustellen. Das gelieferte Produkt kann von dieser Skizze abweichen. Die detaillierte Beschreibung des Produkts befindet sich im Datenabschnitt (Seite 1).  
 The drawing serves only as a sketch to show dimensions. The delivered product may differ from this sketch. The detailed description of the product can be found in the Data section (page 1).



A	AB	B	C	D	E	H	HD	L	M	N	P	S	T	F	G	DH
140	180	100	56	24	50	90	155	335	165	130	200	12	3,5	8	20	M8x19