

SINGLE-PHASE MOTOR ABS 90 S 2 /HT

AB09S2100004

General data

Type of motor	1~
Type designation	ABS
Frame size	90
Mounting	B3
Frame execution	S
Frame material	Aluminium
Insulationclass	F/B
Terminal box location	top DE
Terminal box orientation	cable gland to the back side NDE
Weight (kg)	12.5
Rotation Direction	Clockwise
Vibration level	A
Balancing method	half key
cooling type	IC411
Executed acc. to	IEC 60034-1
noise level	IEC 60034-9

Influential factors

Duty	S1
Ambient temperature (°C)	-20 up to +40
Height of location (m)	1000

Electrical specification

Power 1 50Hz (kW)	1.5
Frequency (Hz)	50
Voltage 50Hz (V)	230
Voltage tolerance	+/-10%
Poles	2
Efficiency 100% 50Hz (%)	76,0
Power factor	0,98
Starting current factor (Ia/In)	5,8
Starting torque factor (Ma/Mn)	2,5
Breakdown torque (Mk/Mn)	2,5
Rated current 50Hz (A)	8,75

Mechanical data

Torque (Nm)	5,12
Rotation speed (1/min)	2800
Bearing DE	6205.ZZ.C3
Bearing NDE	6203.ZZ.C3
Mounting of bearing DE	loose bearing
Mounting of bearing NDE	loose bearing
Bearing lifetime (h)	20000
allow. Radial load (X/2)	600
allow. Radial load (X0)	675

Mechanical data

allow. Radial load (Xmax)	525
allow. Axial load	500
allow. Axial load (V1)	460
Moment of inertia (kgm ²)	0,00723

Motor properties

Color	RAL7030
Paint surface	shiny
Protection class	IP55
Cable gland size (cable connection)	
Cable gland type	Standard
Shaft end (mm)	24 x 50
Shaft material	C45
Specification NDE	Plastic fan

Motor properties Single-phase

Capacitor	AK+BK
S.C. Capacity	200 myF/300 V
O.C. Capacity	40 myF/450 V
run-up switching	centrifugal switch

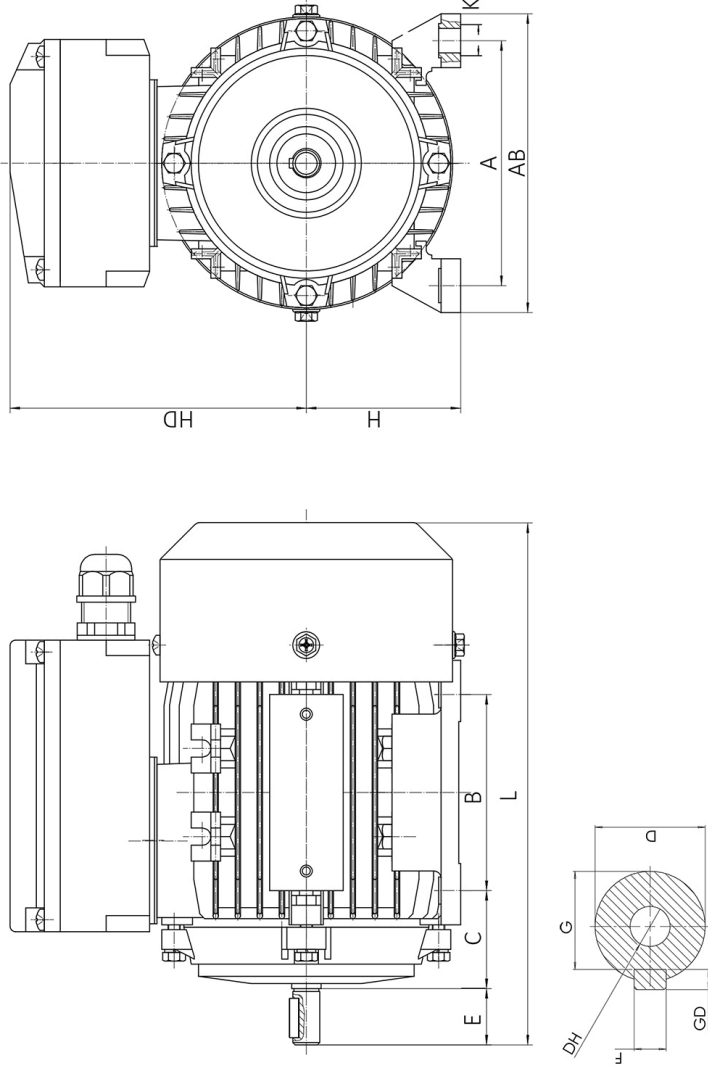
Dimension drawings

Single-phase motor ABS 90 S 2 /HT

AB09S2100004



Die Zeichnung dient lediglich als Skizze um Maße darzustellen. Das gelieferte Produkt kann von dieser Skizze abweichen. Die detaillierte Beschreibung des Produkts befindet sich im Datenabschnitt (Seite 1).
 The drawing serves only as a sketch to show dimensions. The delivered product may differ from this sketch. The detailed description of the product can be found in the Data section (page 1).



A	AB	B	C	D	E	F	G	H	HD	K	L	F	G	DH
140	180	100	56	24	50	8	20	90	155	10	335	8	20	M8x19