

## THREE-PHASE-ASYNCHRONOUS-MOTOR FCA 100 LA 2 /PHE

IE3AC10LA206N

### General data

Type of motor	3~
Type designation	FCA
Frame size	100
Mounting	B5
Frame execution	L
Frame material	Aluminium
Insulationclass	F/B
Terminal box location	top DE
Terminal box orientation	cable gland to the right side
Weight (kg)	23.2
Rotation Direction	right /left
Vibration level	A
Balancing method	half key
cooling type	IC411
Executed acc. to	IEC 60034-1
noise level	IEC 60034-9

### Influential factors

Duty	S1
Ambient temperature (°C)	-20 up to +40
Height of location (m)	1000

### Electrical specification

Power 1 50Hz (kW)	3
Power 1 60Hz (kW)	3
Frequency (Hz)	50/60
Voltage 50Hz (V)	230/400
Voltage 60Hz (V)	265/460
Voltage/Frequency tolerance (not valid for range voltage)	+/-10%
Connection	Δ/Y
Poles	2
Efficiency 100% 50Hz (%)	87,1
Efficiency 75% 50Hz (%)	87,1
Efficiency 50% 50Hz (%)	85,4
Efficiency 100% 60Hz (%)	88,5
Efficiency 75% 60Hz (%)	88,5
Efficiency 50% 60Hz (%)	86,7
Power factor	0,87
Starting current factor	8,1
Starting torque factor	2,3
Tilting moment factor	2,3
Rated current 50Hz (A)	9,94/5,71
Rated current 60Hz (A)	8,51/4,93
Eff.Cl.50Hz	IE3

### Electrical specification

Eff.Cl.60Hz	IE3
-------------	-----

### Mechanical data

Torque (Nm)	9,90/8,25
Rotation speed (1/min)	2895/3474
Bearing DE	6206.ZZ.C3
Bearing NDE	6206.ZZ.C3
Mounting of bearing DE	loose bearing
Mounting of bearing NDE	loose bearing
Bearing lifetime	20000
allow. Radial load (X/2)	887
allow. Radial load (X0)	1000
allow. Radial load (Xmax)	775
allow. Axial load B3,B5,B35,B14,B34	700
allow. Axial load V1,V3,V19,V18	655
Moment of inertia	0,0033

### Motor properties

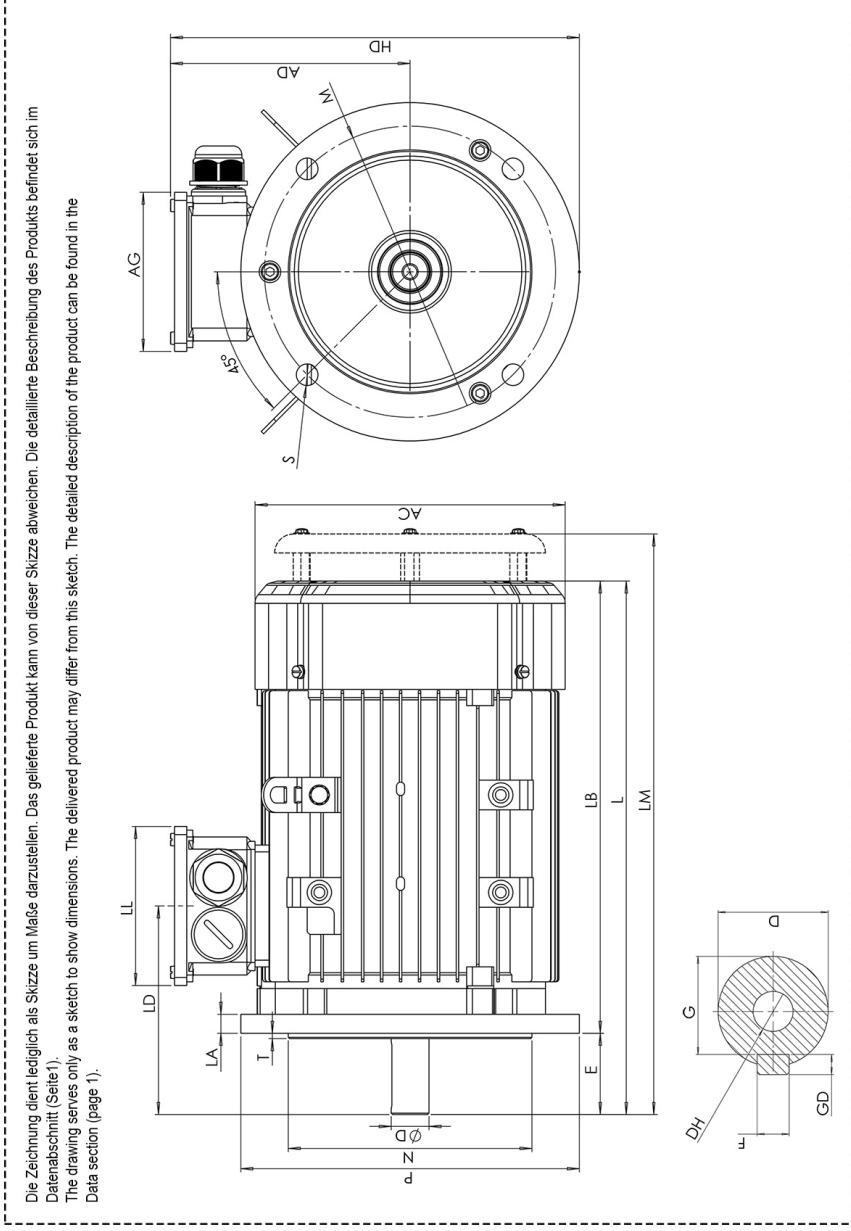
Color	RAL7030
Paint surface	shiny
Protection class	IP55
Cable gland size (cable connection)	1xM25x1,5 1xblind plug
Cable gland type	Standard
Shaft end	28 x 60
Shaft material	C45
Specification NDE	Plastic fan
Flange	250

### Additional operating points

Voltage operating point 2	265/460
Power operating point 2 (kW)	3.6
Connection operating point 2	Δ/Y
Frequency operating point 2	60
Efficiency class operating point 2	IE2

# Dimension drawings

## Three-Phase-Asynchronous- Motor FCA 100 LA 2 /PHE IE3AC10LA206N



AC	AG	D	E	HD	L	LM	LA	LB	LD	LL	M	N	P	S	T	F	G	DH	EB	ED	GD
191	109	28	60	252	374	404	13	314	144	109	215	180	250	4x14,5	4	8	24	M10x22	50	5	7