

## THREE-PHASE-ASYNCHRONOUS-MOTOR FCA 112 M 4 /SPE

IE4AC11M4002

### General data

Type of motor	3~
Type designation	FCA
Frame size	112
Mounting	B5
Frame execution	M
Frame material	Aluminium
Insulationclass	F/B
Terminal box location	top DE
Terminal box orientation	cable gland to the right side
Weight (kg)	39.2
Rotation Direction	right /left
Vibration level	A
Balancing method	half key
cooling type	IC411
Executed acc. to	IEC 60034-1
noise level	IEC 60034-9

### Influential factors

Duty	S1
Ambient temperature (°C)	-20 up to +40
Height of location (m)	1000

### Electrical specification

Power 1 50Hz (kW)	4
Power 1 60Hz (kW)	4
Frequency (Hz)	50/60
Voltage 50Hz (V)	230/400
Voltage 60Hz (V)	265/460
Voltage/Frequency tolerance (not valid for range voltage)	+/-10%
Connection	Δ/Y
Poles	4
Efficiency 100% 50Hz (%)	91,1
Efficiency 75% 50Hz (%)	91,1
Efficiency 50% 50Hz (%)	89,3
Efficiency 100% 60Hz (%)	91
Efficiency 75% 60Hz (%)	91
Efficiency 50% 60Hz (%)	89,2
Power factor	0,82
Starting current factor	7,8
Starting torque factor	2,2
Tilting moment factor	2,3
Rated current 50Hz (A)	13,44/7,80
Rated current 60Hz (A)	11,70/6,79
Eff.Cl.50Hz	IE4

### Electrical specification

Eff.Cl.60Hz	IE4
-------------	-----

### Mechanical data

Torque (Nm)	26,16/21,81
Rotation speed (1/min)	1460/1752
Bearing DE	6306.ZZ.C3
Bearing NDE	6306.ZZ.C3
Mounting of bearing DE	loose bearing
Mounting of bearing NDE	loose bearing
Bearing lifetime	20000
allow. Radial load (X/2)	1100
allow. Radial load (X0)	1225
allow. Radial load (Xmax)	975
allow. Axial load B3,B5,B35,B14,B34	950
allow. Axial load V1,V3,V19,V18	905
Moment of inertia	0,0134

### Motor properties

Color	RAL7030
Paint surface	shiny
Protection class	IP55
Cable gland size (cable connection)	1xM32x1,5 1xblind plug
Cable gland size (option)	M16x1,5
Cable gland type	Standard
Shaft end	28 x 60
Shaft material	C45
Specification NDE	Plastic fan
Flange	250

### Additional operating points

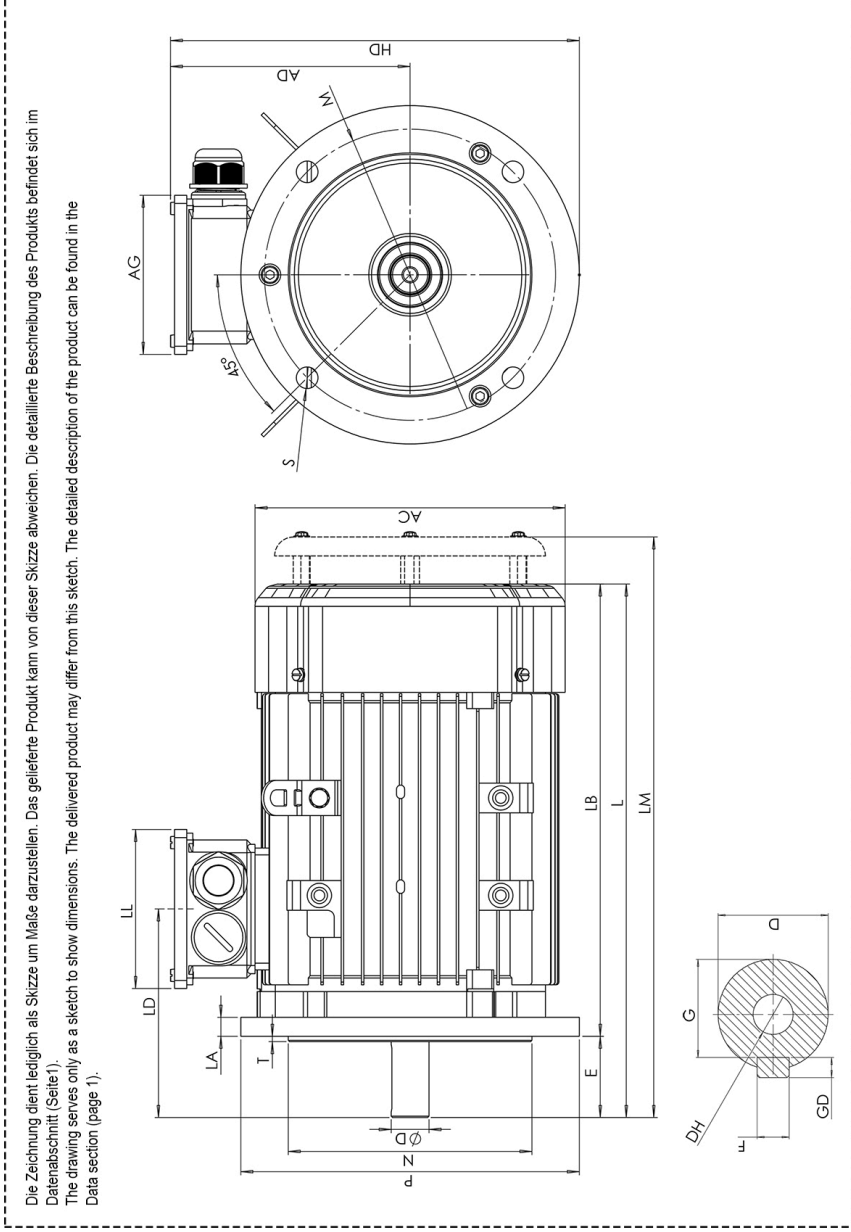
Voltage operating point 2	265/460
Power operating point 2 (kW)	4.8
Connection operating point 2	Δ/Y
Frequency operating point 2	60
Efficiency class operating point 2	IE3

### Additional option

Protection winding	PTC 150°C
--------------------	-----------

# Dimension drawings

## Three-Phase-Asynchronous- Motor FCA 112 M 4 /SPE IE4AC11M4002



AC	AD	AG	D	E	HD	L	LM	LA	LB	LL	M	N	P	S	T	F	G	DH	EB	ED	GD
219	166	117,5	28	60	291	400	440	14	340	117,5	215	180	250	4x14,5	4	8	24	M10x22	50	5	7