

## THREE-PHASE-ASYNCHRONOUS-MOTOR ACA 80 A 2 /SPE

IE4AC08A2000

### General data

Type of motor	3~
Type designation	ACA
Frame size	80
Mounting	B3
Frame material	Aluminium
Insulationclass	F/B
Terminal box location	top DE
Terminal box orientation	cable gland to the right side
Weight (kg)	9.8
Rotation Direction	right /left
Vibration level	A
Balancing method	half key
cooling type	IC411
Executed acc. to	IEC 60034-1
noise level	IEC 60034-9

### Influential factors

Duty	S1
Ambient temperature (°C)	-20 up to +40
Height of location (m)	1000

### Electrical specification

Power 1 50Hz (kW)	0.75
Power 1 60Hz (kW)	0.75
Frequency (Hz)	50/60
Voltage 50Hz (V)	230/400
Voltage 60Hz (V)	265/460
Voltage/Frequency tolerance (not valid for range voltage)	+/-10%
Connection	$\Delta/Y$
Poles	2
Efficiency 100% 50Hz (%)	83,5
Efficiency 75% 50Hz (%)	83,5
Efficiency 50% 50Hz (%)	81,8
Efficiency 100% 60Hz (%)	82,5
Efficiency 75% 60Hz (%)	82,5
Efficiency 50% 60Hz (%)	80,9
Power factor	0,82
Starting current factor	7,0
Starting torque factor	2,3
Tilting moment factor	2,3
Rated current 50Hz (A)	2,75/1,59
Rated current 60Hz (A)	2,42/1,40
Eff.Cl.50Hz	IE4
Eff.Cl.60Hz	IE4

### Mechanical data

Torque (Nm)	2,45/2,04
Rotation speed (1/min)	2920/3504
Bearing DE	6204.ZZ.C3
Bearing NDE	6204.ZZ.C3
Mounting of bearing DE	loose bearing
Mounting of bearing NDE	loose bearing
Bearing lifetime	20000
allow. Radial load (X/2)	562
allow. Radial load (X0)	625
allow. Radial load (Xmax)	500
allow. Axial load B3,B5,B35,B14,B34	475
allow. Axial load V1,V3,V19,V18	445
Moment of inertia	0,0014

### Motor properties

Color	RAL7030
Paint surface	shiny
Protection class	IP55
Cable gland size (cable connection)	1xM20x1,5 1xblind plug
Cable gland size (option)	M16x1,5
Cable gland type	Standard
Shaft end	19 x 40
Shaft material	C45
Specification NDE	Plastic fan

### Additional operating points

Voltage operating point 2	265/460
Power operating point 2 (kW)	0.9
Connection operating point 2	$\Delta/Y$
Frequency operating point 2	60
Efficiency class operating point 2	IE3

### Additional option

Protection winding	PTC 150°C
--------------------	-----------

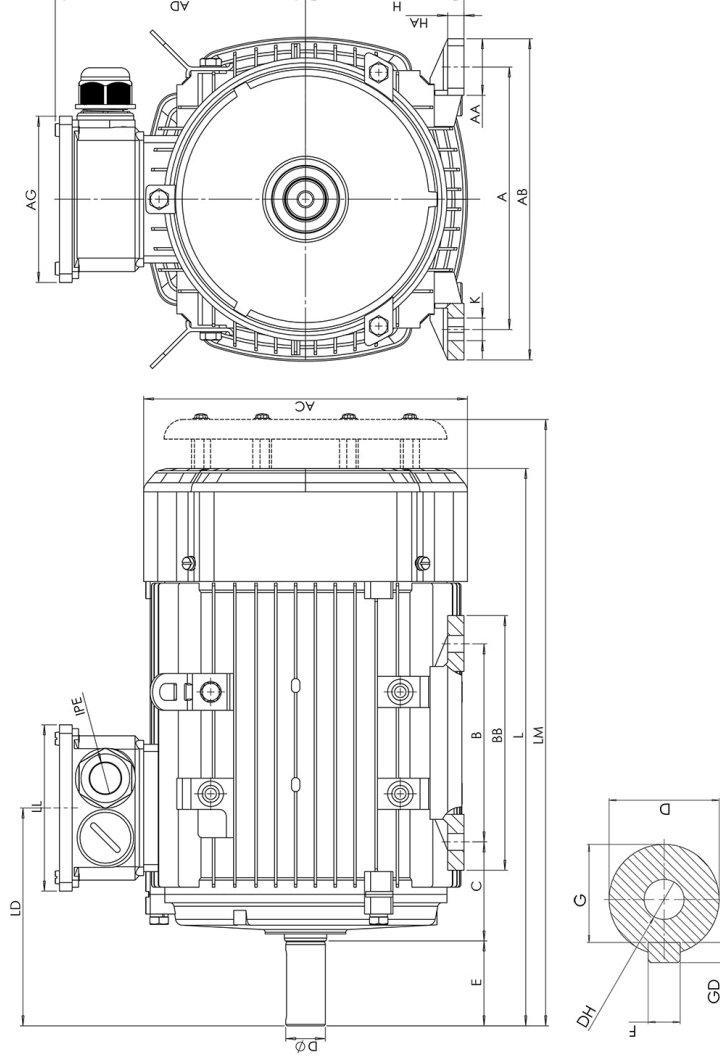
# Dimension drawings

## Three-Phase-Asynchronous- Motor ACA 80 A 2 /SPE

### IE4AC08A2000



Die Zeichnung dient lediglich als Skizze um Maße darzustellen. Das gelieferte Produkt kann von dieser Skizze abweichen. Die detaillierte Beschreibung des Produkts befindet sich im Datenabschnitt (Seite 1).  
 The drawing serves only as a sketch to show dimensions. The delivered product may differ from this sketch. The detailed description of the product can be found in the Data section (page 1).



A	AA	AB	AC	AD	AG	B	BB	C	D	E	H	HA	K	L	LM	LL	F	G	DH	EB	ED	GD
125	35	157	158	130	101	100	125	50	19	40	80	8	10x14	293,5	323,5	101	6	15,5	M6x16	30	5	6