

## THREE-PHASE-ASYNCHRONOUS-MOTOR FCA 80 A 8 /HE

IE2AC08A8008

### General data

Type of motor	3~
Type designation	FCA
Frame size	80
Mounting	B5
Frame material	Aluminium
Insulationclass	F/B
Terminal box location	top DE
Terminal box orientation	cable gland to the right side
Weight (kg)	10.2
Rotation Direction	right /left
Vibration level	A
Balancing method	half key
cooling type	IC411
Executed acc. to	IEC 60034-1
noise level	IEC 60034-9

### Influential factors

Duty	S1
Ambient temperature (°C)	-20 up to +40
Height of location (m)	1000

### Electrical specification

Power 1 50Hz (kW)	0.18
Power 1 60Hz (kW)	0.18
Frequency (Hz)	50/60
Voltage 50Hz (V)	230/400
Voltage 60Hz (V)	265/460
Voltage/Frequency tolerance (not valid for range voltage)	+/-10%
Connection	Δ/Y
Poles	8
Efficiency 100% 50Hz (%)	45,9
Efficiency 75% 50Hz (%)	45,9
Efficiency 50% 50Hz (%)	45
Efficiency 100% 60Hz (%)	46
Power factor	0,61
Starting current factor	3,3
Starting torque factor	1,8
Tilting moment factor	1,9
Rated current 50Hz (A)	1,61/0,93
Rated current 60Hz (A)	1,40/0,81
Eff.Cl.50Hz	IE2
Eff.Cl.60Hz	IE2

### Mechanical data

Torque (Nm)	2,64/2,20
Rotation speed (1/min)	650/780
Bearing DE	6204.ZZ.C3
Bearing NDE	6204.ZZ.C3
Mounting of bearing DE	loose bearing
Mounting of bearing NDE	loose bearing
Bearing lifetime	20000
allow. Radial load (X/2)	900
allow. Radial load (X0)	1000
allow. Radial load (Xmax)	800
allow. Axial load B3,B5,B35,B14,B34	850
allow. Axial load V1,V3,V19,V18	820

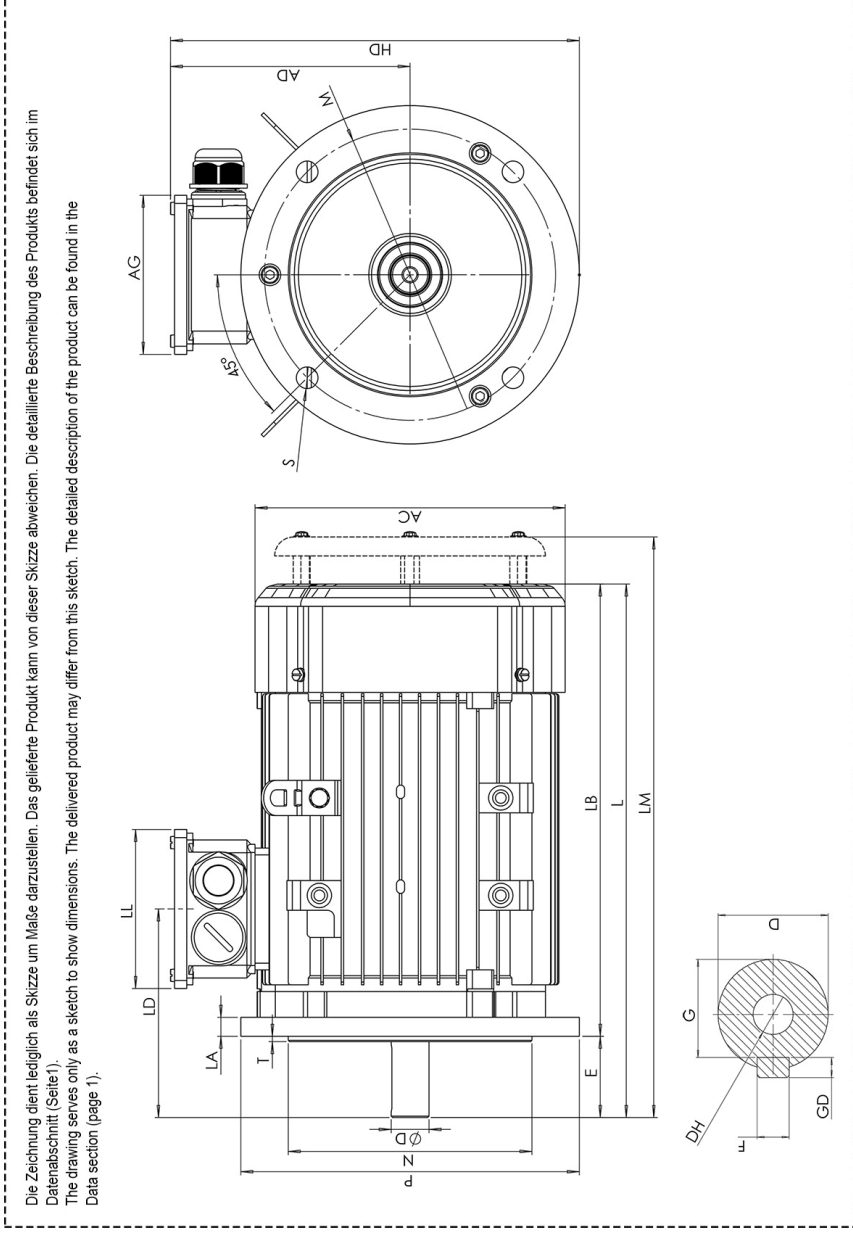
### Motor properties

Color	RAL7030
Paint surface	shiny
Protection class	IP55
Cable gland size (cable connection)	1xM20x1,5 1xblind plug
Cable gland type	Standard
Shaft end	19 x 40
Shaft material	C45
Specification NDE	Plastic fan
Flange	200

# Dimension drawings

## Three-Phase-Asynchronous- Motor FCA 80 A 8 /HE

### IE2AC08A8008



AC	AD	AG	D	E	HD	L	LM	LA	LB	LL	M	N	P	S	T	F	G	DH	EB	ED	GD
155	124	101	19	40	224	277	307	12	237	101	165	130	200	4x12	3.5	6	15,5	M6x16	30	5	6