

THREE-PHASE-ASYNCHRONOUS-MOTOR ACA 80 A 4/6

AC08A2200014

General data

Type of motor	3~ multi speed
Type designation	ACA
Frame size	80
Mounting	B3
Frame material	Aluminium
Insulationclass	F/B
Terminal box location	top DE
Terminal box orientation	cable gland to the right side
Weight (kg)	15
Rotation Direction	right /left
Vibration level	A
Balancing method	half key
cooling type	IC411
Executed acc. to	IEC 60034-1
noise level	IEC 60034-9

General data double-speed motors

Power 2 50Hz (kW)	0.12
-------------------	------

Influential factors

Duty	S1
Ambient temperature (°C)	-20 up to +40
Height of location (m)	1000

Electrical specification

Power 1 50Hz (kW)	0.4
Frequency (Hz)	50
Voltage 50Hz (V)	380-420
Voltage tolerance	+/-10%
Connection	Y/Y
Poles	4/6
Efficiency 100% 50Hz (%)	44,7/45,0
Power factor	0,66/0,5
Starting current factor (Ia/In)	6/4,7
Starting torque factor (Ma/Mn)	1,9
Breakdown torque (Mk/Mn)	2,3
Rated current 50Hz (A)	1,96/0,76

Mechanical data

Torque (Nm)	2,55/1,15
Rotation speed (1/min)	1495/995
Bearing DE	6204.ZZ.C3
Bearing NDE	6204.ZZ.C3
Mounting of bearing DE	loose bearing

Mechanical data

Mounting of bearing NDE	loose bearing
Bearing lifetime (h)	20000
allow. Radial load (X/2)	700
allow. Radial load (X0)	775
allow. Radial load (Xmax)	625
allow. Axial load	625
allow. Axial load (V1)	595

Motor properties

Color	RAL7030
Paint surface	shiny
Protection class	IP55
Cable gland size (cable connection)	1xM20x1,5 1xblind plug
Cable gland size (option)	M16x1,5
Cable gland type	Standard
Shaft end (mm)	19 x 40
Shaft material	C45
Specification NDE	Plastic fan

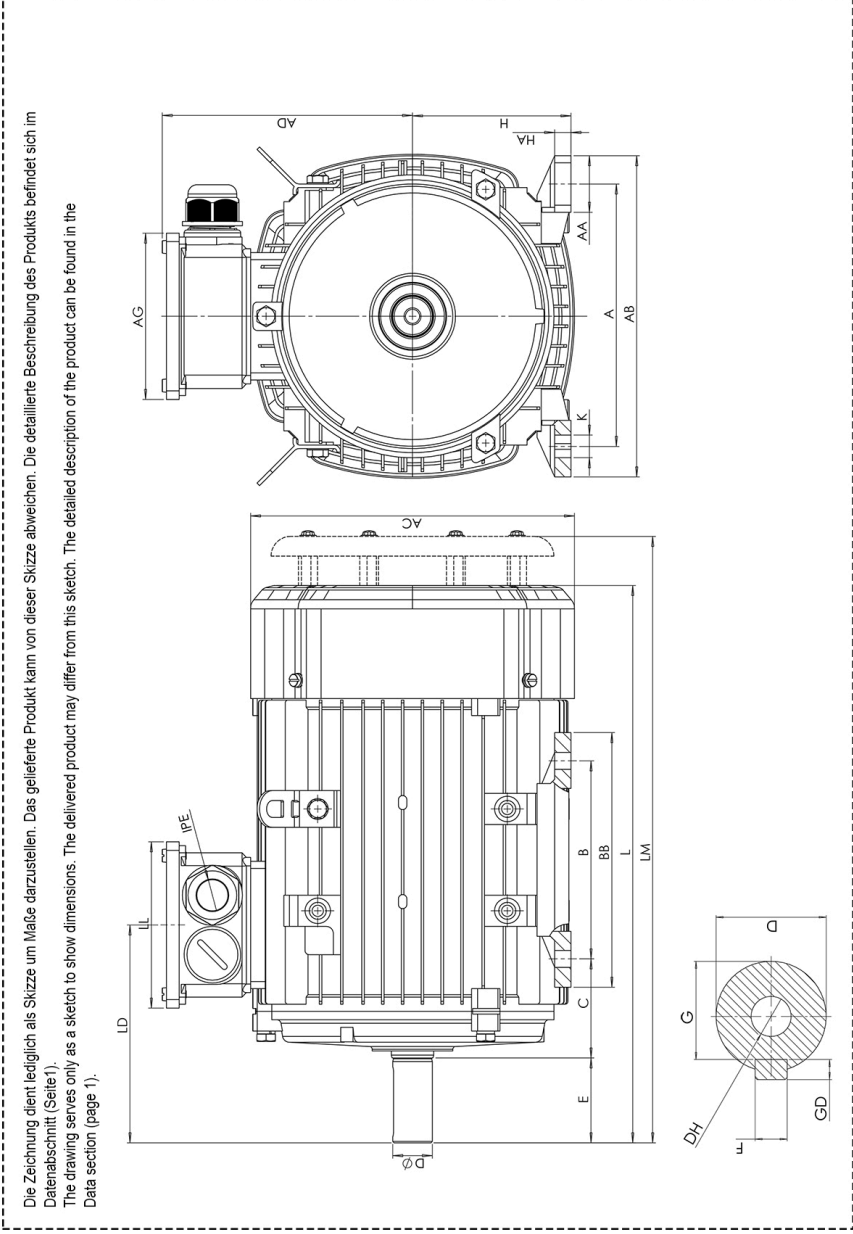
Additional option

Protection winding	2xPTC 150°C
--------------------	-------------

Dimension drawings

Three-Phase-Asynchronous-Motor ACA 80 A 4/6

AC08A2200014



Die Zeichnung dient lediglich als Skizze um Maße darzustellen. Das gelieferte Produkt kann von dieser Skizze abweichen. Die detaillierte Beschreibung des Produkts befindet sich im Datenabschnitt (Seite 1).
 The drawing serves only as a sketch to show dimensions. The delivered product may differ from this sketch. The detailed description of the product can be found in the Data section (page 1).

A	AA	AB	AC	AD	AG	B	BB	C	D	E	H	HA	K	L	LM	LD	LL	F	G	DH	EB	ED	GD
125	35	157	155	124	101	100	125	50	19	40	80	9	10x14	277	307	118	101	6	15,5	M6x16	30	5	6