

## THREE-PHASE-ASYNCHRONOUS-MOTOR ACA 71 B 4 /HE

IE2AC07B4002

### General data

Type of motor	3~
Type designation	ACA
Frame size	71
Mounting	B3
Frame material	Aluminium
Insulationclass	F/B
Terminal box location	top DE
Terminal box orientation	cabl gland to the right side
Weight (kg)	6,1
Rotation Direction	right /left
Vibration level	A
Balancing method	half key
cooling type	IC411
Executed acc. to	IEC 60034-1
noise level	IEC 60034-9

### Influential factors

Duty	S1
Ambient temperature (°C)	-20 up to +40
Height of location (m)	1000

### Electrical specification

Power 1 50Hz (kW)	0,37
Power 1 60Hz (kW)	0,37
Frequency (Hz)	50/60
Voltage 50Hz (V)	230/400
Voltage 60Hz (V)	265/460
Voltage/Frequency tolerance (not valid for range voltage)	+/-10%
Connection	$\Delta$ /Y
Poles	4
Efficiency 100% 50Hz (%)	72,7
Efficiency 75% 50Hz (%)	72,7
Efficiency 50% 50Hz (%)	71,2
Efficiency 100% 60Hz (%)	72
Power factor	0,75
Starting current factor	5,2
Starting torque factor	2,1
Tilting moment factor	2,2
Rated current 50Hz (A)	1,70/0,98
Rated current 60Hz (A)	1,50/0,87
Eff.Cl.50Hz	IE2
Eff.Cl.60Hz	IE2

### Mechanical data

Torque (Nm)	2,65/2,21
Rotation speed (1/min)	1335/1602
Bearing DE	6202.ZZ.C3
Bearing NDE	6202.ZZ.C3
Mounting of bearing DE	loose bearing
Mounting of bearing NDE	loose bearing
Bearing lifetime	20000
allow. Radial load (X/2)	412,5
allow. Radial load (X0)	450
allow. Radial load (Xmax)	375
allow. Axial load B3,B5,B35,B14,B34	400
allow. Axial load V1,V3,V19,V18	380

### Motor properties

Color	RAL7030
Paint surface	shiny
Protection class	IP55
Cable gland size (cable connection)	1xM20x1,5 1xblind plug
Cable gland size (option)	M16x1,5
Cable gland type	Standard
Shaft end	14 x 30
Shaft material	C45
Specification NDE	Plastic fan

### Additional option

Protection winding	PTC 150°C
--------------------	-----------

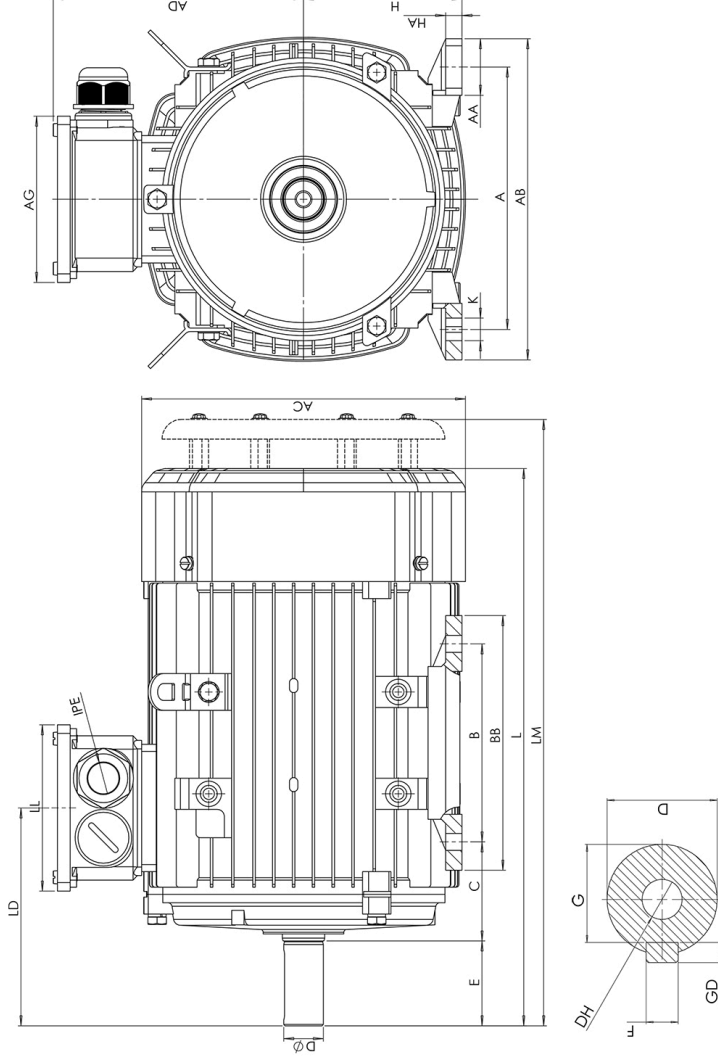
# Dimension drawings

## Three-Phase-Asynchronous- Motor ACA 71 B 4 /HE

### IE2AC07B4002



Die Zeichnung dient lediglich als Skizze um Maße darzustellen. Das gelieferte Produkt kann von dieser Skizze abweichen. Die detaillierte Beschreibung des Produkts befindet sich im Datenabschnitt (Seite 1).  
 The drawing serves only as a sketch to show dimensions. The delivered product may differ from this sketch. The detailed description of the product can be found in the Data section (page 1).



<b>A</b>	112	<b>AA</b>	26	<b>AB</b>	138	<b>AC</b>	136	<b>AD</b>	109	<b>AG</b>	101	<b>B</b>	90	<b>BB</b>	110	<b>C</b>	45	<b>D</b>	14	<b>E</b>	30	<b>H</b>	71	<b>HA</b>	8	<b>K</b>	7x11	<b>L</b>	245	<b>LM</b>	275	<b>LD</b>	111	<b>LL</b>	101	<b>F</b>	5	<b>G</b>	11	<b>DH</b>	M5x12	<b>EB</b>	25	<b>ED</b>	2.5	<b>GD</b>	5
----------	-----	-----------	----	-----------	-----	-----------	-----	-----------	-----	-----------	-----	----------	----	-----------	-----	----------	----	----------	----	----------	----	----------	----	-----------	---	----------	------	----------	-----	-----------	-----	-----------	-----	-----------	-----	----------	---	----------	----	-----------	-------	-----------	----	-----------	-----	-----------	---