

SINGLE-PHASE MOTOR FBS 71 A 4

AB07A2200006

General data

Type of motor	1~
Type designation	FBS
Frame size	71
Mounting	B5
Frame material	Aluminium
Insulationclass	F/B
Terminal box location	top DE
Terminal box orientation	cable gland to the back side NDE
Weight (kg)	6.1
Rotation Direction	Clockwise
Vibration level	A
Balancing method	half key
cooling type	IC411
Executed acc. to	IEC 60034-1
noise level	IEC 60034-9

Mechanical data

allow. Axial load	400
allow. Axial load (V1)	380
Moment of inertia (kgm ²)	0,0028

Motor properties

Color	RAL7030
Paint surface	shiny
Protection class	IP55
Cable gland size (cable connection)	1xM16
Cable gland type	Standard
Shaft end (mm)	14 x 30
Shaft material	C45
Specification NDE	Plastic fan
Flange	160

Influential factors

Duty	S1
Ambient temperature (°C)	-20 up to +40
Height of location (m)	1000

Motor properties Single-phase

Capacitor	BK
O.C. Capacity	10 myF/450 V

Electrical specification

Power 1 50Hz (kW)	0.25
Frequency (Hz)	50
Voltage 50Hz (V)	230
Voltage tolerance	+/-10%
Poles	4
Efficiency 100% 50Hz (%)	61,0
Power factor	0,92
Starting current factor (Ia/In)	3,5
Starting torque factor (Ma/Mn)	0,35
Breakdown torque (Mk/Mn)	0,35
Rated current 50Hz (A)	1,94

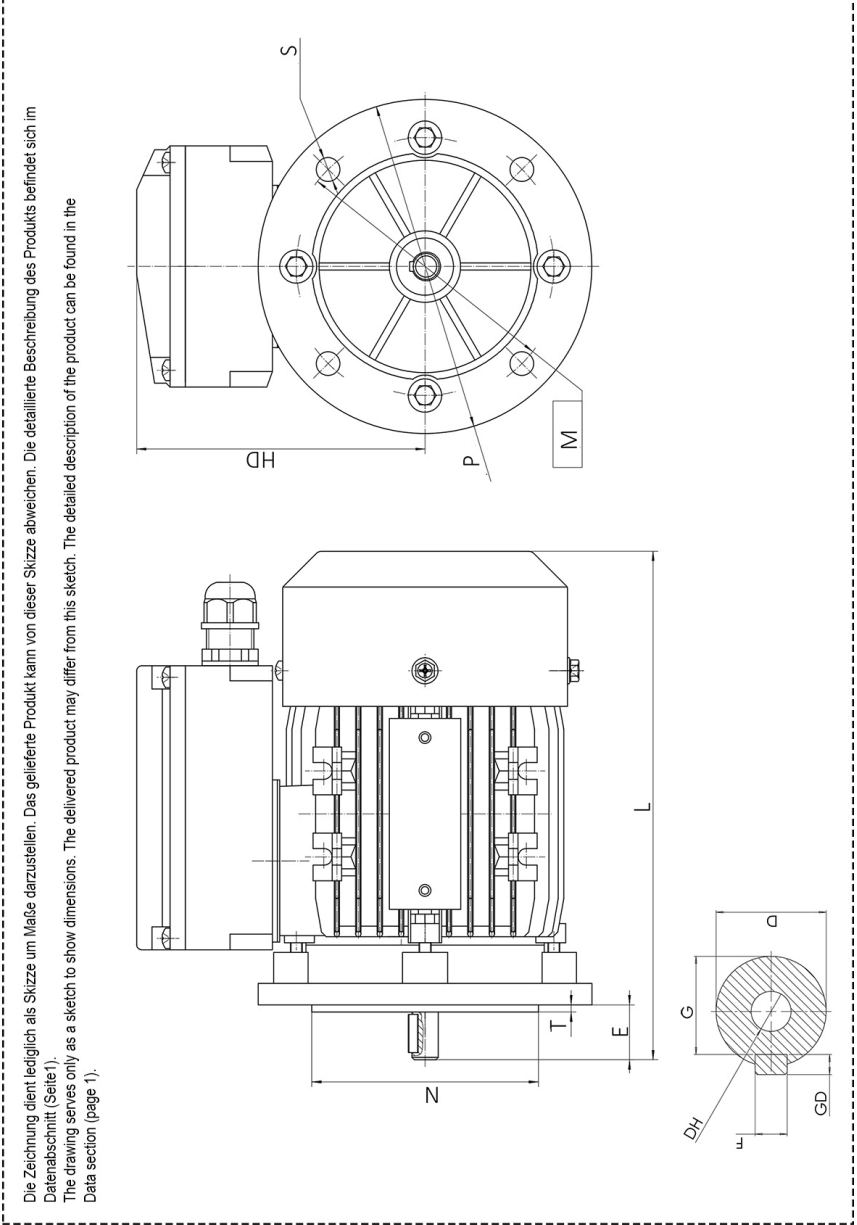
Mechanical data

Torque (Nm)	1,71
Rotation speed (1/min)	1400
Bearing DE	6202.ZZ.C3
Bearing NDE	6202.ZZ.C3
Mounting of bearing DE	loose bearing
Mounting of bearing NDE	loose bearing
Bearing lifetime (h)	20000
allow. Radial load (X/2)	412
allow. Radial load (X0)	450
allow. Radial load (Xmax)	375

Dimension drawings

Single-phase motor FBS 71 A 4

AB07A2200006



D	E	H	HD	L	M	N	P	S	T	F	G	DH
14	30	71	132	250	130	110	160	10	2,5	5	11	M5x12