

## THREE-PHASE-ASYNCHRONOUS-MOTOR ACA 100 LC 2 /PHE

IE3AC10LC205

### General data

|                          |                               |
|--------------------------|-------------------------------|
| Type of motor            | 3~ progressiv                 |
| Type designation         | ACA                           |
| Frame size               | 100                           |
| Mounting                 | B3                            |
| Frame execution          | L                             |
| Frame material           | Aluminium                     |
| Insulationclass          | F/B                           |
| Terminal box location    | top DE                        |
| Terminal box orientation | cable gland to the right side |
| Weight (kg)              | 23.7                          |
| Rotation Direction       | right /left                   |
| Vibration level          | A                             |
| Balancing method         | half key                      |
| cooling type             | IC411                         |
| Executed acc. to         | IEC 60034-1                   |
| noise level              | IEC 60034-9                   |

### Influential factors

|                          |               |
|--------------------------|---------------|
| Duty                     | S1            |
| Ambient temperature (°C) | -20 up to +40 |
| Height of location (m)   | 1000          |

### Electrical specification

|                                 |            |
|---------------------------------|------------|
| Power 1 50Hz (kW)               | 4          |
| Power 1 60Hz (kW)               | 4.8        |
| Frequency (Hz)                  | 50/60      |
| Voltage 50Hz (V)                | 230/400    |
| Voltage 60Hz (V)                | 265/460    |
| Voltage tolerance               | +/-10%     |
| Connection                      | Δ/Y        |
| Poles                           | 2          |
| Efficiency 100% 50Hz (%)        | 88,1       |
| Efficiency 75% 50Hz (%)         | 88,1       |
| Efficiency 50% 50Hz (%)         | 86,3       |
| Efficiency 100% 60Hz (%)        | 89,5       |
| Power factor                    | 0,88       |
| Starting current factor (Ia/In) | 8,3        |
| Starting torque factor (Ma/Mn)  | 2,3        |
| Breakdown torque (Mk/Mn)        | 2,3        |
| Rated current 50Hz (A)          | 12,95/7,45 |
| Rated current 60Hz (A)          | 11,09/6,43 |
| Eff.Cl.50Hz                     | IE3        |
| Eff.Cl.60Hz                     | IE3        |

### Mechanical data

|                                       |               |
|---------------------------------------|---------------|
| Torque (Nm)                           | 13,20/11      |
| Rotation speed (1/min)                | 2895/3474     |
| Bearing DE                            | 6206.ZZ.C3    |
| Bearing NDE                           | 6206.ZZ.C3    |
| Mounting of bearing DE                | loose bearing |
| Mounting of bearing NDE               | loose bearing |
| Bearing lifetime (h)                  | 20000         |
| allow. Radial load (X/2)              | 887           |
| allow. Radial load (X0)               | 1000          |
| allow. Radial load (Xmax)             | 775           |
| allow. Axial load                     | 700           |
| allow. Axial load (V1)                | 655           |
| Moment of inertia (kgm <sup>2</sup> ) | 0,0045        |

### Motor properties

|                                     |                        |
|-------------------------------------|------------------------|
| Color                               | RAL7030                |
| Paint surface                       | shiny                  |
| Protection class                    | IP55                   |
| Cable gland size (cable connection) | 1xM25x1,5 1xblind plug |
| Cable gland size (option)           | M16x1,5                |
| Cable gland type                    | Standard               |
| Shaft end (mm)                      | 28 x 60                |
| Shaft material                      | C45                    |
| Specification NDE                   | Plastic fan            |

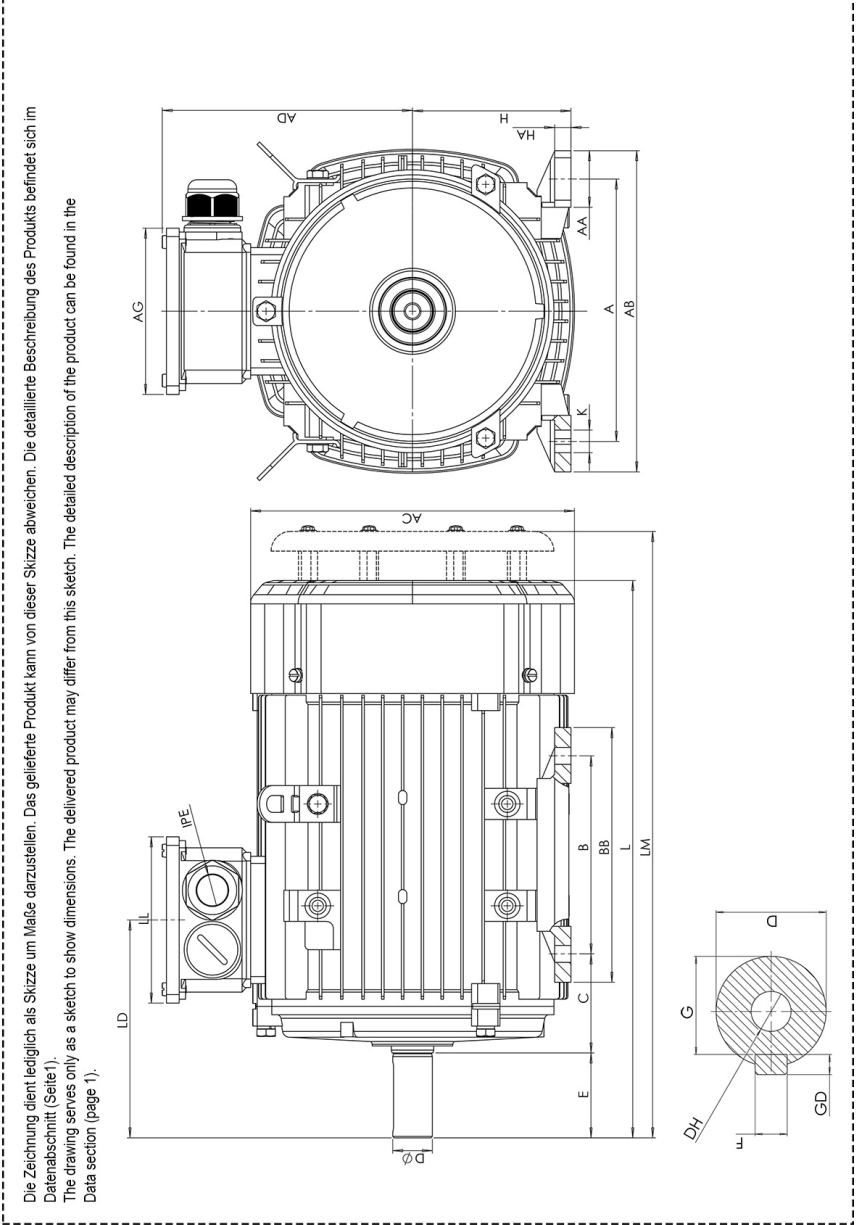
### Additional operating points

|                                    |         |
|------------------------------------|---------|
| Voltage operating point 2          | 265/460 |
| Power operating point 2 (kW)       | 4.8     |
| Connection operating point 2       | Δ/Y     |
| Frequency operating point 2        | 60      |
| Efficiency class operating point 2 | IE2     |

### Additional option

|                    |           |
|--------------------|-----------|
| Protection winding | PTC 150°C |
|--------------------|-----------|

# Dimension drawings Three-Phase-Asynchronous- Motor ACA 100 LC 2 /PHE IE3AC10LC205



Die Zeichnung dient lediglich als Skizze um Maße darzustellen. Das gelieferte Produkt kann von dieser Skizze abweichen. Die detaillierte Beschreibung des Produkts befindet sich im Datenabschnitt (Seite 1).  
The drawing serves only as a sketch to show dimensions. The delivered product may differ from this sketch. The detailed description of the product can be found in the Data section (page 1).

| A   | AA | AB  | AC  | AD    | AG  | B   | BB  | C  | D  | E  | H   | HA | K     | L   | LM  | LD  | LL  | F | G  | DH     | EB | ED | GD |
|-----|----|-----|-----|-------|-----|-----|-----|----|----|----|-----|----|-------|-----|-----|-----|-----|---|----|--------|----|----|----|
| 160 | 40 | 196 | 198 | 159,5 | 109 | 140 | 172 | 63 | 28 | 60 | 100 | 11 | 12x16 | 393 | 423 | 144 | 109 | 8 | 24 | M10x22 | 50 | 5  | 7  |