

SINGLE-PHASE MOTOR FBSP 100 LA 4 /HT

AB10L5200006

General data

Type of motor	1~
Type designation	FBSP
Frame size	100
Mounting	B35
Frame execution	L
Frame material	Aluminium
Insulationclass	F/B
Terminal box location	top DE
Terminal box orientation	cable gland to the back side NDE
Weight (kg)	23
Rotation Direction	Clockwise
Vibration level	A
Balancing method	half key
cooling type	IC411
Executed acc. to	IEC 60034-1
noise level	IEC 60034-9

Influential factors

Duty	S1
Ambient temperature (°C)	-20 up to +40
Height of location (m)	1000

Electrical specification

Power 1 50Hz (kW)	2.2
Frequency (Hz)	50
Voltage 50Hz (V)	230
Voltage/Frequency tolerance (not valid for range voltage)	+/-10%
Poles	4
Efficiency 100% 50Hz (%)	76,0
Power factor	0,95
Starting current factor	5,8
Starting torque factor	2,5
Tilting moment factor	2,5
Rated current 50Hz (A)	13,25

Mechanical data

Torque (Nm)	15,01
Rotation speed (1/min)	1400
Bearing DE	6206.ZZ.C3
Bearing NDE	6205.ZZ.C3
Mounting of bearing DE	loose bearing
Mounting of bearing NDE	loose bearing
Bearing lifetime	20000
allow. Radial load (X/2)	1125

Mechanical data

allow. Radial load (X0)	1250
allow. Radial load (Xmax)	1000
allow. Axial load B3,B5,B35,B14,B34	950
allow. Axial load V1,V3,V19,V18	905
Moment of inertia	0,039

Motor properties

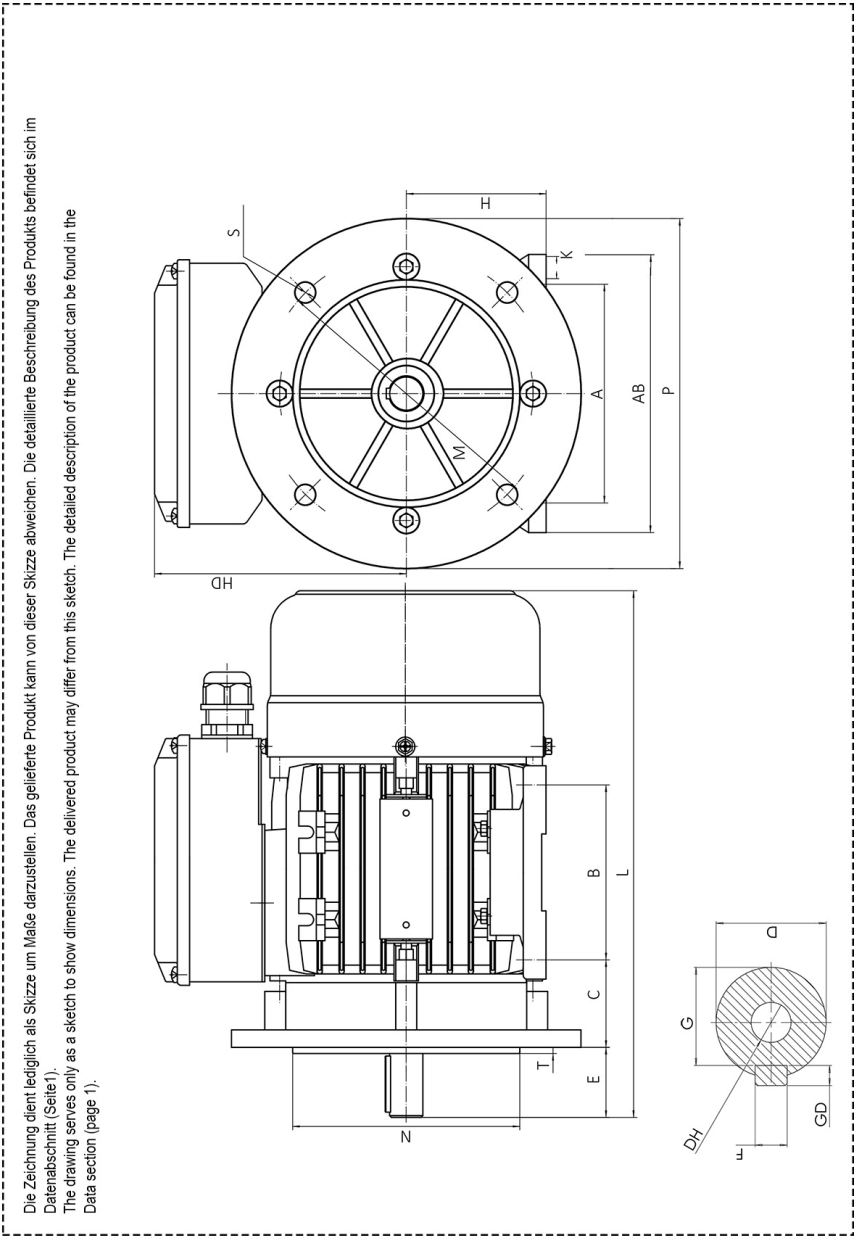
Color	RAL7030
Paint surface	shiny
Protection class	IP55
Cable gland size (cable connection)	
Cable gland type	Standard
Shaft end	28 x 60
Shaft material	C45
Specification NDE	Plastic fan
Flange	250

Motor properties Single-phase

Capacitor	AK+BK
S.C. Capacity	300 myF/300 V
O.C. Capacity	60 myF/450 V
run-up switching	centrifugal switch

Dimension drawings

Single-phase motor FBSP 100 LA 4 /HT AB10L5200006



Die Zeichnung dient lediglich als Skizze um Maße darzustellen. Das gelieferte Produkt kann von dieser Skizze abweichen. Die detaillierte Beschreibung des Produkts befindet sich im Datenabschnitt (Seite 1).
 The drawing serves only as a sketch to show dimensions. The delivered product may differ from this sketch. The detailed description of the product can be found in the Data section (page 1).

A	AB	B	C	D	E	H	HD	K	L	M	N	P	S	T	F	G	DH
160	205	140	63	28	60	100	165	12	380	215	180	250	4x14,5	4	8	24	M10x22