

## THREE-PHASE-ASYNCHRONOUS-MOTOR FOA 100 LA 2 /PHE

IE3OG10LA205

### General data

|                          |                               |
|--------------------------|-------------------------------|
| Type of motor            | 3~                            |
| Type designation         | FOA                           |
| Frame size               | 100                           |
| Mounting                 | B5                            |
| Frame execution          | L                             |
| Frame material           | Aluminium                     |
| Insulationclass          | F/B                           |
| Terminal box location    | top DE                        |
| Terminal box orientation | cable gland to the right side |
| Weight (kg)              | 22                            |
| Rotation Direction       | right /left                   |
| Vibration level          | A                             |
| Balancing method         | half key                      |
| cooling type             | IC411                         |
| Executed acc. to         | IEC 60034-1                   |
| noise level              | IEC 60034-9                   |

### Influential factors

|                          |               |
|--------------------------|---------------|
| Duty                     | S1            |
| Ambient temperature (°C) | -20 up to +40 |
| Height of location (m)   | 1000          |

### Electrical specification

|                                 |            |
|---------------------------------|------------|
| Power 1 50Hz (kW)               | 3          |
| Power 1 60Hz (kW)               | 3          |
| Frequency (Hz)                  | 50/60      |
| Voltage 50Hz (V)                | 230/400    |
| Voltage 60Hz (V)                | -/460      |
| Voltage tolerance               | +/-10%     |
| Connection                      | $\Delta/Y$ |
| Poles                           | 2          |
| Efficiency 100% 50Hz (%)        | 87,1       |
| Efficiency 75% 50Hz (%)         | 88         |
| Efficiency 50% 50Hz (%)         | 86,8       |
| Efficiency 100% 60Hz (%)        | 88,5       |
| Efficiency 75% 60Hz (%)         | 89,2       |
| Efficiency 50% 60Hz (%)         | 88,2       |
| Power factor                    | 0,86       |
| Starting current factor (Ia/In) | 8,0        |
| Starting torque factor (Ma/Mn)  | 3,0        |
| Breakdown torque (Mk/Mn)        | 3,8        |
| Rated current 50Hz (A)          | 10,1/5,81  |
| Rated current 60Hz (A)          | 0,00/4,98  |
| Eff.Cl.50Hz                     | IE3        |
| Eff.Cl.60Hz                     | IE3        |

### Mechanical data

|                                       |               |
|---------------------------------------|---------------|
| Torque (Nm)                           | 9,87/8,23     |
| Rotation speed (1/min)                | 2900/3480     |
| Bearing DE                            | 6206.ZZ.CM    |
| Bearing NDE                           | 6206.ZZ.CM    |
| Mounting of bearing DE                | loose bearing |
| Mounting of bearing NDE               | loose bearing |
| Bearing lifetime (h)                  | 20000         |
| Moment of inertia (kgm <sup>2</sup> ) | 0,0041        |

### Motor properties

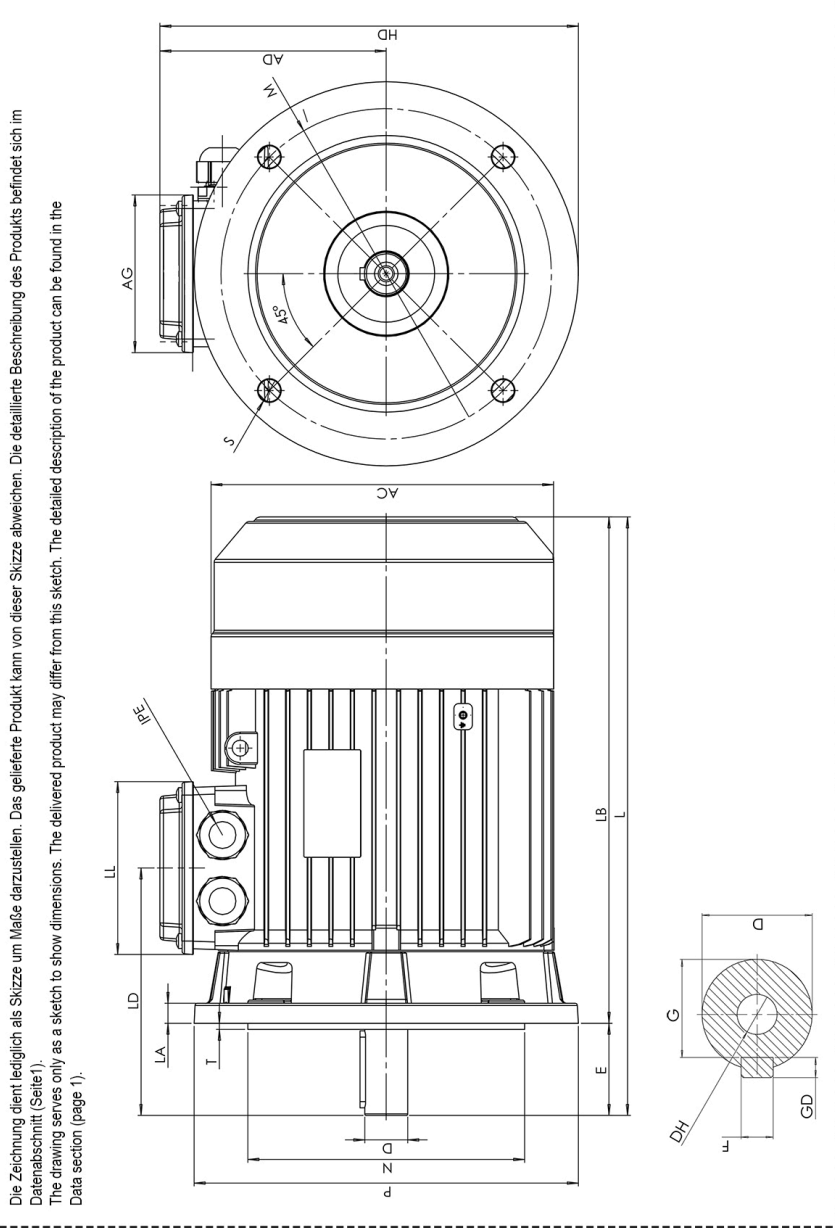
|                                     |             |
|-------------------------------------|-------------|
| Color                               | RAL7030     |
| Paint surface                       | shiny       |
| Protection class                    | IP55        |
| Cable gland size (cable connection) | 2xM25x1,5   |
| Cable gland size (option)           | M16x1,5     |
| Cable gland type                    | Standard    |
| Shaft end (mm)                      | 28 x 60     |
| Shaft material                      | C40         |
| Specification NDE                   | Plastic fan |
| Flange                              | 250         |

### Additional option

|  |           |
|--|-----------|
| Protection winding                     | PTC 150°C |
| Condensate draining hole               | ✓         |
| Condensate draining hole sealing screw | ✓         |

# Dimension drawings

## Three-Phase-Asynchronous- Motor FOA 100 LA 2 /PHE IE30G10LA205



| AC  | AD  | AG  | D  | E  | HD  | L   | LB  | LD  | LL  | M   | N   | P   | S      | T | F | G  | DH  | GD |
|-----|-----|-----|----|----|-----|-----|-----|-----|-----|-----|-----|-----|--------|---|---|----|-----|----|
| 202 | 136 | 103 | 28 | 60 | 261 | 375 | 315 | 156 | 113 | 215 | 180 | 250 | 4x14,5 | 4 | 8 | 24 | M10 | 7  |