

THREE-PHASE-ASYNCHRONOUS-MOTOR ACA 100 L 2 /PHE

IE3AC10LA208N

General data

Type of motor	3~
Type designation	ACA
Frame size	100
Mounting	B3
Frame execution	L
Frame material	Aluminium
Insulationclass	F/B
Terminal box location	top DE
Terminal box orientation	cable gland to the right side
Weight (kg)	23.2
Rotation Direction	right /left
Vibration level	A
Balancing method	half key
cooling type	IC411
Executed acc. to	IEC 60034-1
noise level	IEC 60034-9

Influential factors

Duty	S1
Ambient temperature (°C)	-20 up to +40
Height of location (m)	1000

Electrical specification

Power 1 50Hz (kW)	3
Power 1 60Hz (kW)	3
Frequency (Hz)	50/60
Voltage 50Hz (V)	400/690
Voltage 60Hz (V)	460/795
Voltage/Frequency tolerance (not valid for range voltage)	+/-10%
Connection	Δ/Y
Poles	2
Efficiency 100% 50Hz (%)	87,1
Efficiency 75% 50Hz (%)	87,1
Efficiency 50% 50Hz (%)	85,4
Efficiency 100% 60Hz (%)	88,5
Efficiency 75% 60Hz (%)	88,5
Efficiency 50% 60Hz (%)	86,7
Power factor	0,87
Starting current factor	8,1
Starting torque factor	2,3
Tilting moment factor	2,3
Rated current 50Hz (A)	5,71/3,31
Rated current 60Hz (A)	4,89/2,84
Eff.Cl.50Hz	IE3

Electrical specification

Eff.Cl.60Hz	IE3
-------------	-----

Mechanical data

Torque (Nm)	9,90/8,25
Rotation speed (1/min)	2895/3474
Bearing DE	6206.ZZ.C3
Bearing NDE	6206.ZZ.C3
Mounting of bearing DE	loose bearing
Mounting of bearing NDE	loose bearing
Bearing lifetime	20000
allow. Radial load (X/2)	887
allow. Radial load (X0)	1000
allow. Radial load (Xmax)	775
allow. Axial load B3,B5,B35,B14,B34	700
allow. Axial load V1,V3,V19,V18	655
Moment of inertia	0,0033

Motor properties

Color	RAL7030
Paint surface	shiny
Protection class	IP55
Cable gland size (cable connection)	1xM25x1,5 1xblind plug
Cable gland size (option)	M16x1,5
Cable gland type	Standard
Shaft end	28 x 60
Shaft material	C45
Specification NDE	Plastic fan

Additional operating points

Voltage operating point 2	460/795
Power operating point 2 (kW)	3.6
Connection operating point 2	Δ/Y
Frequency operating point 2	60
Efficiency class operating point 2	IE2

Additional option

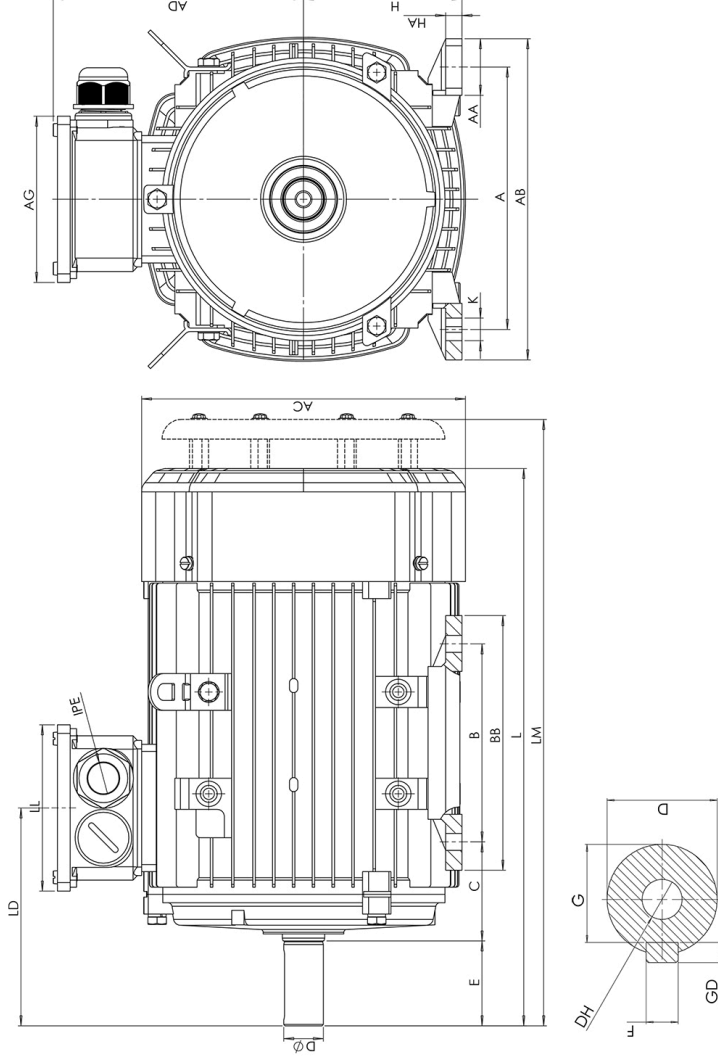
Protection winding	PTC 150°C
--------------------	-----------

Dimension drawings

Three-Phase-Asynchronous- Motor ACA 100 L 2 /PHE IE3AC10LA208N



Die Zeichnung dient lediglich als Skizze um Maße darzustellen. Das gelieferte Produkt kann von dieser Skizze abweichen. Die detaillierte Beschreibung des Produkts befindet sich im Datenabschnitt (Seite 1).
The drawing serves only as a sketch to show dimensions. The delivered product may differ from this sketch. The detailed description of the product can be found in the Data section (page 1).



A	AA	AB	AC	AD	AG	B	BB	C	D	E	H	HD	HA	K	L	LM	LD	LL	F	G	DH	EB	ED	GD
160	40	196	191	152	109	140	172	63	28	60	100	252	11	12X16	374	404	144	109	8	24	M10x22	50	5	7