

## THREE-PHASE-ASYNCHRONOUS-MOTOR AOA 100 LA 2 /PHE

IE3OG10LA251

### General data

Type of motor	3~
Type designation	AOA
Frame size	100
Mounting	B3
Frame execution	L
Frame material	Aluminium
Insulationclass	F/B
Terminal box location	top DE
Terminal box orientation	cable gland to the right side
Weight (kg)	22
Rotation Direction	right /left
Vibration level	A
Balancing method	half key
cooling type	IC411
Executed acc. to	IEC 60034-1
noise level	IEC 60034-9

### Influential factors

Duty	S1
Ambient temperature (°C)	-20 up to +40
Height of location (m)	1000

### Electrical specification

Power 1 50Hz (kW)	3
Power 1 60Hz (kW)	3
Frequency (Hz)	50/60
Voltage 50Hz (V)	230/400
Voltage 60Hz (V)	-/460
Voltage tolerance	+/-10%
Connection	$\Delta/Y$
Poles	2
Efficiency 100% 50Hz (%)	87,1
Efficiency 75% 50Hz (%)	88
Efficiency 50% 50Hz (%)	86,8
Efficiency 100% 60Hz (%)	88,5
Efficiency 75% 60Hz (%)	89,2
Efficiency 50% 60Hz (%)	88,2
Power factor	0,86
Starting current factor (Ia/In)	8
Starting torque factor (Ma/Mn)	3
Breakdown torque (Mk/Mn)	3,8
Rated current 50Hz (A)	10,1/5,81
Rated current 60Hz (A)	0,00/4,98
Eff.Cl.50Hz	IE3
Eff.Cl.60Hz	IE3

### Mechanical data

Torque (Nm)	9,87/8,23
Rotation speed (1/min)	2900/3480
Bearing DE	6206.ZZ.CM
Bearing NDE	6206.ZZ.CM
Mounting of bearing DE	loose bearing
Mounting of bearing NDE	loose bearing
Bearing lifetime (h)	20000
allow. Radial load (X0)	1094
allow. Radial load (Xmax)	887
Moment of inertia (kgm <sup>2</sup> )	0,0041

### Motor properties

Color	RAL7030
Paint surface	shiny
Protection class	IP55
Cable gland size (cable connection)	1xM25x1,5 1xblind plug
Cable gland size (option)	M20x1,5
Cable gland type	Standard
Shaft end (mm)	28 x 60
Shaft material	C40
Specification NDE	Plastic fan

### Additional option

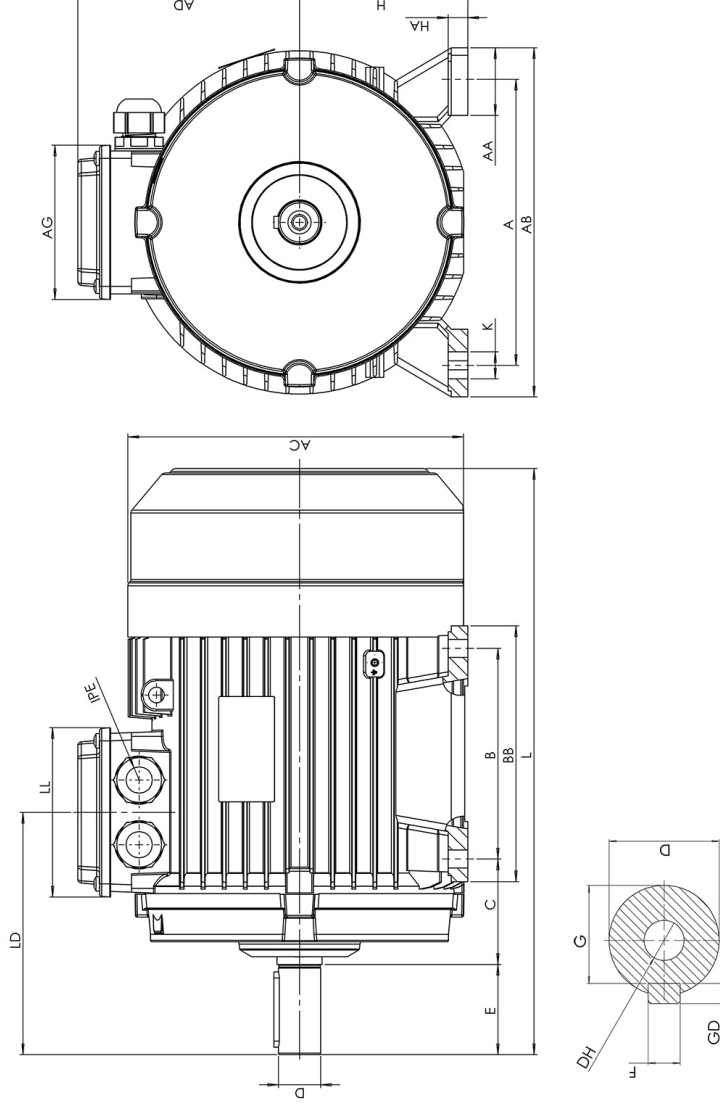
Protection winding	PTC 150°C
Condensate draining hole	✓
Condensate draining hole sealing screw	✓

# Dimension drawings

## Three-Phase-Asynchronous- Motor AOA 100 LA 2 /PHE IE3OG10LA251



Die Zeichnung dient lediglich als Skizze um Maße darzustellen. Das gelieferte Produkt kann von dieser Skizze abweichen. Die detaillierte Beschreibung des Produkts befindet sich im Datenabschnitt (Seite 1).  
The drawing serves only as a sketch to show dimensions. The delivered product may differ from this sketch. The detailed description of the product can be found in the Data section (page 1).



<b>A</b>	160	<b>AA</b>	45	<b>AB</b>	208	<b>AC</b>	202	<b>AD</b>	136	<b>AG</b>	103	<b>B</b>	140	<b>BB</b>	174	<b>C</b>	63	<b>D</b>	28	<b>E</b>	60	<b>H</b>	100	<b>HA</b>	13	<b>K</b>	18	<b>L</b>	375	<b>LB</b>	315	<b>LD</b>	156	<b>LL</b>	113	<b>F</b>	8	<b>G</b>	24	<b>DH</b>	M10	<b>GD</b>	7
----------	-----	-----------	----	-----------	-----	-----------	-----	-----------	-----	-----------	-----	----------	-----	-----------	-----	----------	----	----------	----	----------	----	----------	-----	-----------	----	----------	----	----------	-----	-----------	-----	-----------	-----	-----------	-----	----------	---	----------	----	-----------	-----	-----------	---